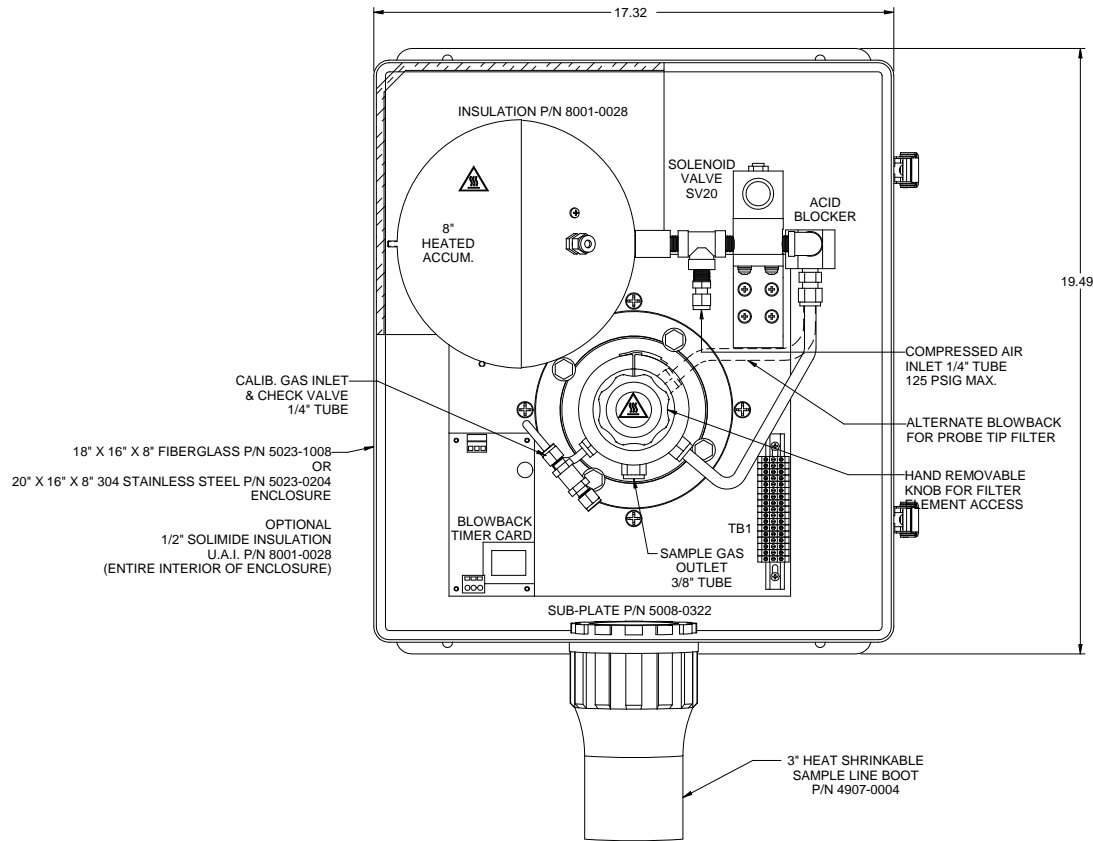
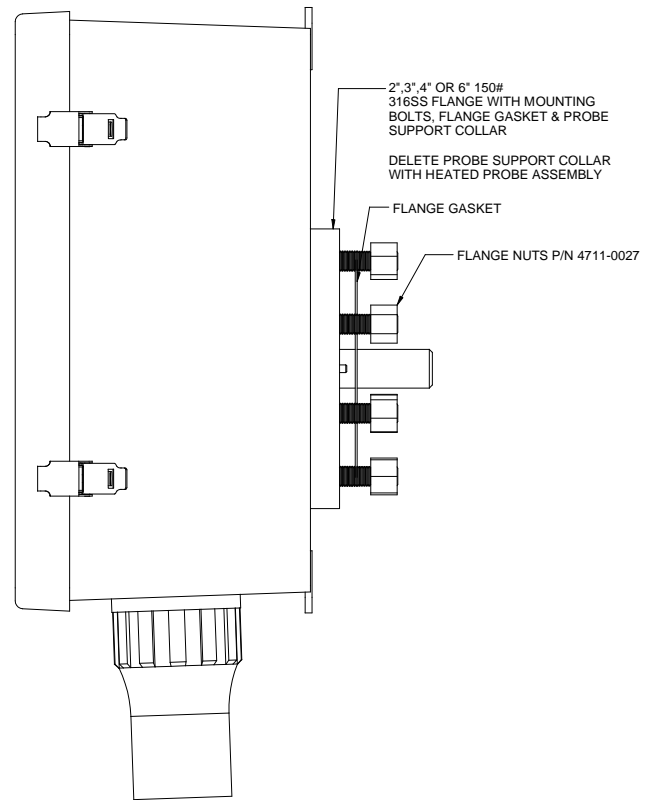


8 | 7 | 6 | 5 | 4 | 3 | 2 | 1



FRONT VIEW (DOOR REMOVED)



RIGHT SIDE VIEW

18" X 16" X 8" FIBERGLASS P/N 5023-1008
OR
20" X 16" X 8" 304 STAINLESS STEEL P/N 5023-0204
ENCLOSURE

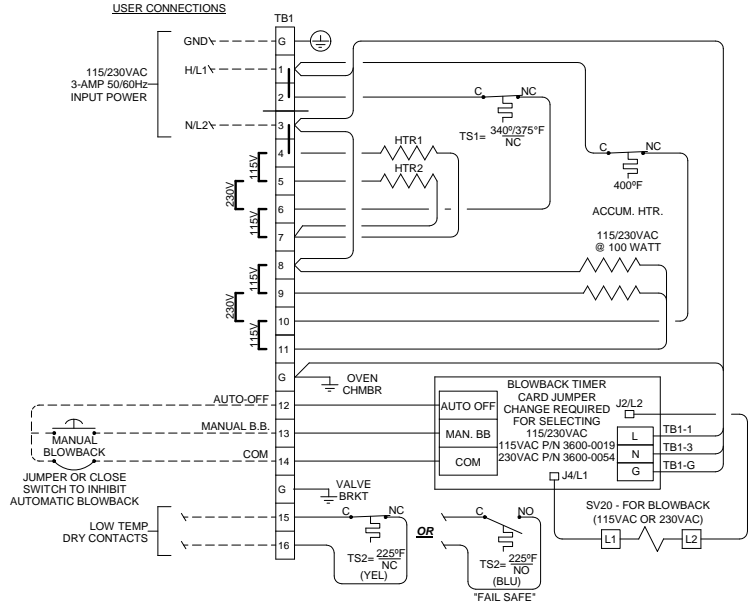
OPTIONAL
1/2" SOLIMIDE INSULATION
U.A.I. P/N 8001-0028
(ENTIRE INTERIOR OF ENCLOSURE)

SPARE PARTS LIST		
REQD	DESCRIPTION	U.A.I. P/N
1	KNOB O-RING VITON	4904-0016
2	FILTER O-RING VITON	4904-0015
1	CHECK VALVE	4955-0148
1	SOLENOID VALVE (115V)	4955-0002
	SOLENOID VALVE (230V)	4955-0005
1	TIMER CARD (115V)	3600-0019
	TIMER CARD (230V)	3600-0054
1	ACID BLOCKER	5110-0015
1	8" HTD. ACCUMULATOR	4956-0009

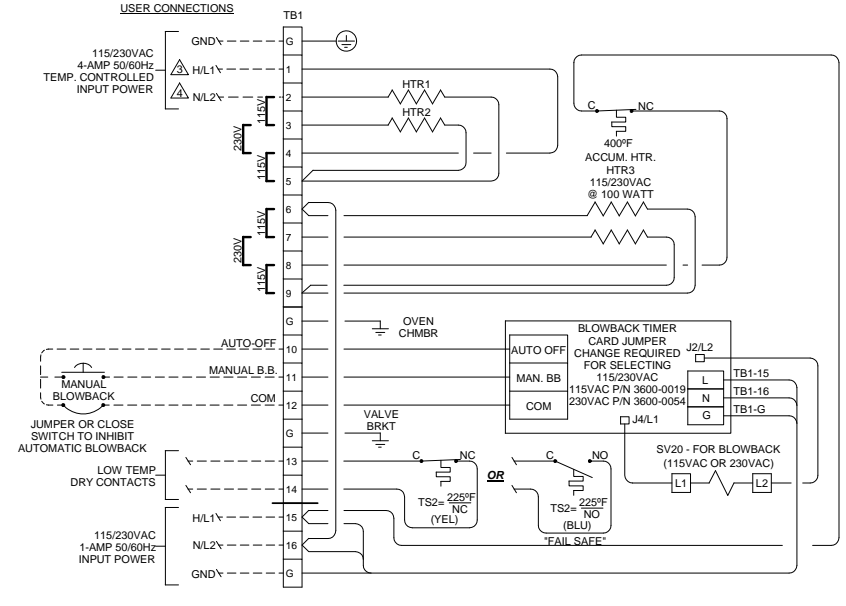
UNIVERSAL ANALYZERS INC.		F	04/09/08	REVISE ENCLOSURE ADD FLANGE NUTS GASKET AND PART NUMBERS	EM	GE	
1701 South Sutro Terrace Carson City, Nevada 89706 USA		REV	DATE	DESCRIPTION	DWN	APVD	
MODEL 270 S/C F-HBBT-FG(I)/SS(I) LAYOUT AND WIRING SCHEMATIC		REVISIONS					
PART NO.	FOR	DATE	SCALE	SIZE	SHEET		
Not Issued	INSTRUMENT	06/23/2006	NTS	D	1 OF 4		
		DRAWN BY	R. Wells	DRAWING NO.	P1083		
		APVD BY	G. Evans				

8 | 7 | 6 | 5 | 4 | 3 | 2 | 1

THERMAL SWITCH TEMPERATURE CONTROL



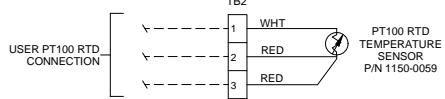
REMOTE TEMPERATURE CONTROLLER



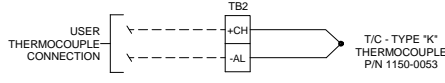
- NOTES:
- 1) FILTER HEATER ROD SPECIFICATIONS (HTR1 & HTR2):
3/8" Ø X 1.5' LG @ 63 WATT/115VAC - U.A.I. P/N 3014-0046
 - 2) LOW TEMP ALARM OPTIONS (TS2):
YELLOW (YEL) - NORMALLY CLOSED (NC) BELOW 225°F - U.A.I. P/N 3103-0013
BLUE (BLU) - NORMALLY OPEN (NO) BELOW 225°F - U.A.I. P/N 3103-0012
 - 3) USER CHAMBER HEATER CONTROL OPTION (TB1-1) MUST BE REGULATED WITH A TEMPERATURE CONTROLLING DEVICE. VERIFY THAT THE VOLTAGE BEING SUPPLIED MATCHES THE VOLTAGE RATING ON THE SERIAL TAG.
 - 4) USE LABEL 5001-0217. ADHERE TO BACKPLATE AND INSTALL ACROSS FROM TB1, TB2.
 - 5) ACCUMULATOR HEATER SPECIFICATIONS:
8" HEATED ACCUMULATOR - P/N 4956-0009
 - 6) SYSTEM IS CONFIGURED AT THE FACTORY FOR REQUIRED VOLTAGE - CONTACT U.A.I. FOR VOLTAGE CHANGE.

--- FIELD TO WIRE ---

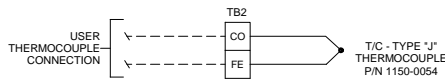
OPTIONAL PT100 RTD FOR REMOTE FILTER HEATER TEMPERATURE MONITORING / CONTROL



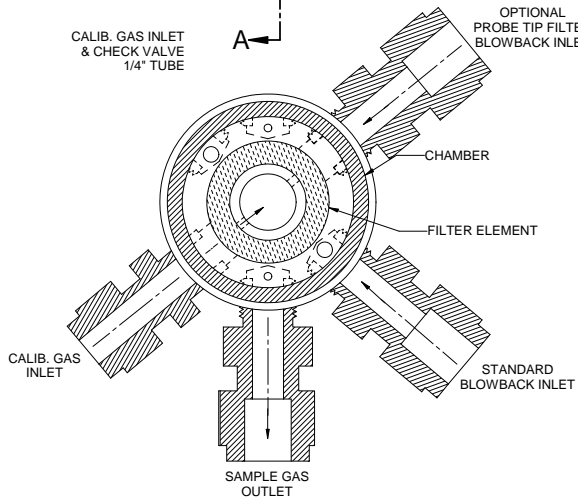
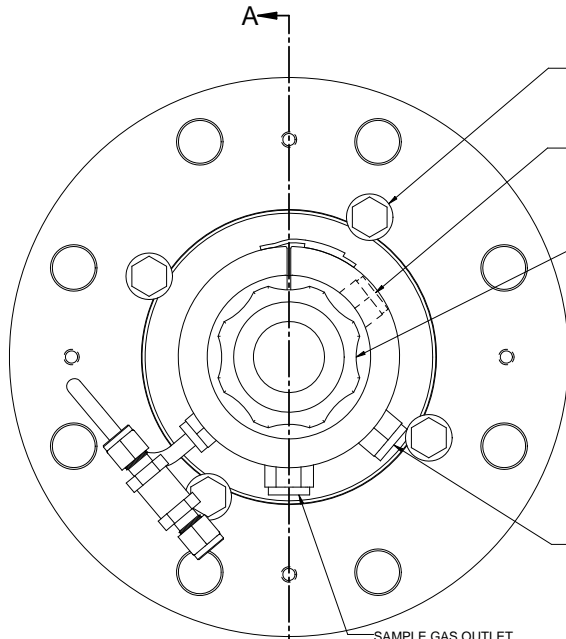
THERMOCOUPLE FOR REMOTE FILTER HEATER TEMPERATURE MONITORING / CONTROL TERMINAL BLOCK P/N +CH = 3304-0167 -AL = 3304-0168



THERMOCOUPLE FOR REMOTE FILTER HEATER TEMPERATURE MONITORING / CONTROL TERMINAL BLOCK P/N CO = 3304-0171 FE = 3304-012



UNIVERSAL ANALYZERS INC.		F	04/09/08	ADD PART NUMBERS TO TIMER CARD	EM	GE
1701 South Suro Terrace Carson City, Nevada 89706 USA		REV	DATE	DESCRIPTION	DWN	APVD
MODEL 270 S/C F		REVISIONS				
OPTIONAL WIRING SCHEMATICS		DATE	SCALE	SIZE	SHEET	
PART NO.		06/23/2006	NTS	D	2 OF 4	
FOR INSTRUMENT		DRAWN BY	R. Wells	DRAWING NO.	P1083	
Not Issued		APVD BY	G. Evans			



LOW TEMP. ALARM

FILTER ELEMENT

2-216 VITON O-RING
(FILTER KNOB)
U.A.I. P/N 4904-0016

BLOWBACK INLET
3/8" TUBE
(CLEAN SIDE FILTER)

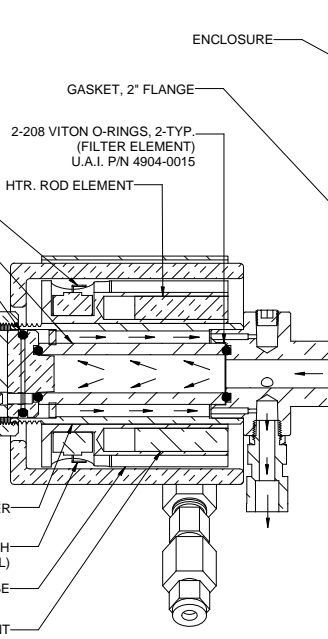
FILTER KNOB
ASSEMBLY

FILTER CHAMBER

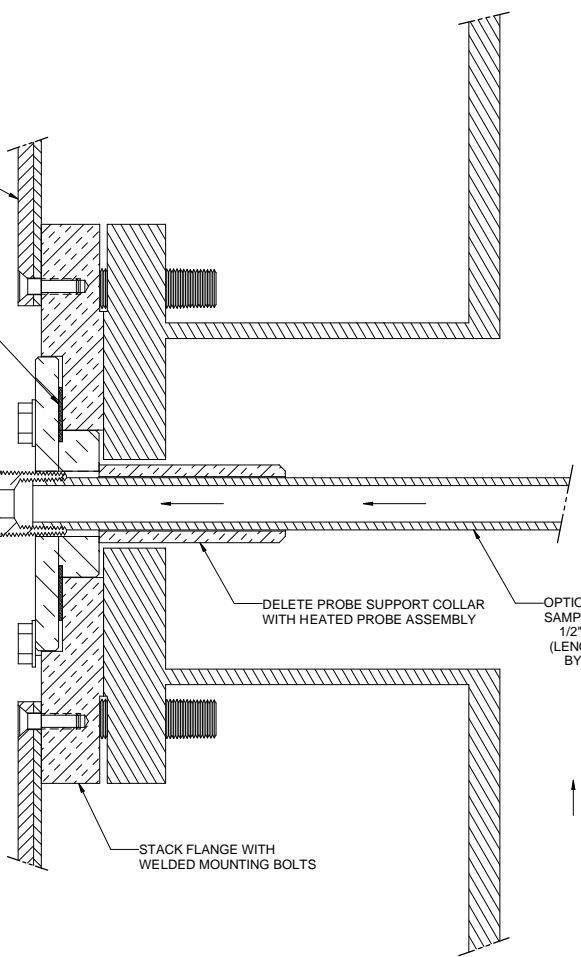
TEMP. SWITCH
(CHAMBER HTR. CONTROL)

ALUMINUM HEATER TUBE

HTR. ROD ELEMENT



SECTION A-A



INTERNAL PORTING CONFIGURATION
2:1

UNIVERSAL ANALYZERS INC.		F	04/09/08	REVISIONS PER SHEETS 1, 2 & 4	EM	GE	
1701 South Sutrro Terrace Carson City, Nevada 89706 USA		REV	DATE	DESCRIPTION	DWN	APVD	
MODEL 270 S/C F TYPICAL INSTALLATION DIAGRAM		REVISIONS				SIZE	
DATE 06/23/2006		SCALE NTS		SIZE D		SHEET 3 OF 4	
PART NO.	FOR INSTRUMENT	DRAWN BY R. Wells		DRAWING NO. P1083			
Not Issued		APVD BY G. Evans					

8 | 7 | 6 | 5 | 4 | 3 | 2 | 1

D

C

B

A

D

C

B

A

2",3",4" OR 6" 150#
316SS FLANGE WITH
MOUNTING BOLTS

GASKET - 2" FLANGE
P/N 4903-1002

SUB-FLANGE - MODEL 270SF
WITH PROBE SUPPORT COLLAR
316SS P/N 5150-0230
C-276 P/N 5150-0277

DELETE PROBE SUPPORT COLLAR
WITH HEATER PROBE ASSEMBLY
316SS P/N 5150-0223
C-276 P/N 5150-0276

FILTER CHAMBER ASSEMBLY
W/ "FAIL SAFE" (NO BELOW 225°F) LOW TEMP SWITCH - U.A.I. P/N 3014-0026
W/ "FAIL SAFE" (NO BELOW 225°F) LOW TEMP SWITCH - FM - U.A.I. P/N 3014-0046
W/ (NC BELOW 225°F) LOW TEMP SWITCH - U.A.I. P/N 3014-0002
W/ (NC BELOW 225°F) LOW TEMP SWITCH - FM - U.A.I. P/N 3014-0047

WASHERS - 3/8" FLAT
P/N 4710-0043
4 TYP.

BOLTS - CHAMBER SUB-FLANGE RETAINING
3/8"-16 HEX HD. X 5/8" LONG
P/N 4704-0140
4 TYP.

UNIVERSAL ANALYZERS INC.		F	04/09/08	ADD PART NUMBERS	EM	GE
1701 South Suro Terrace Carson City, Nevada 89706 USA		REV	DATE	DESCRIPTION	DWN	APVD
MODEL 270 S/C F FLANGE MOUNT ASSEMBLY		REVISIONS				
PART NO.	FOR	DATE	SCALE	SIZE	SHEET	
Not Issued	INSTRUMENT	06/23/2006	NTS	D	4 OF 4	
		DRAWN BY	R. Wells	DRAWING NO.		
		APVD BY	G. Evans	P1083		

8 | 7 | 6 | 5 | 4 | 3 | 2 | 1