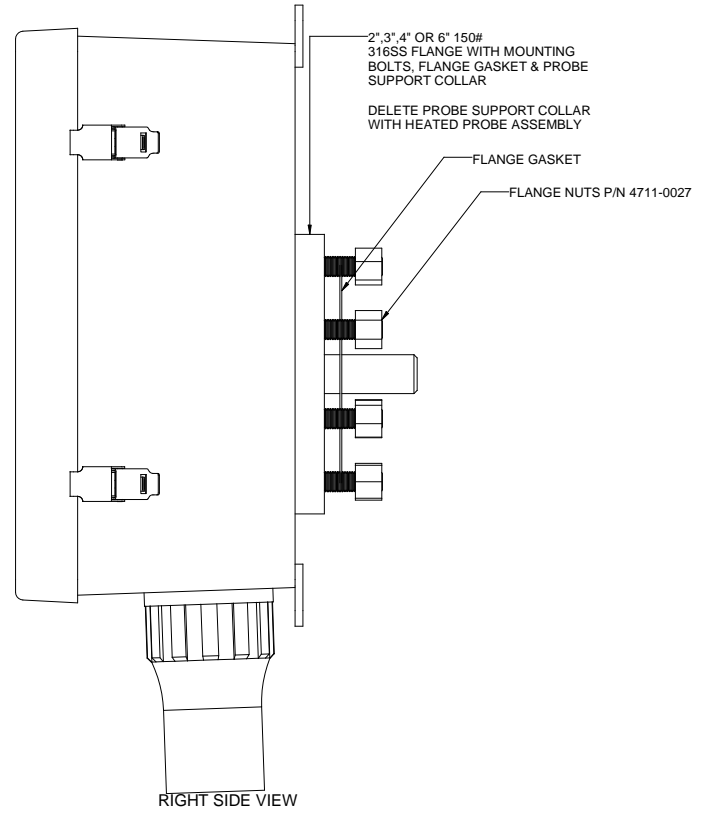


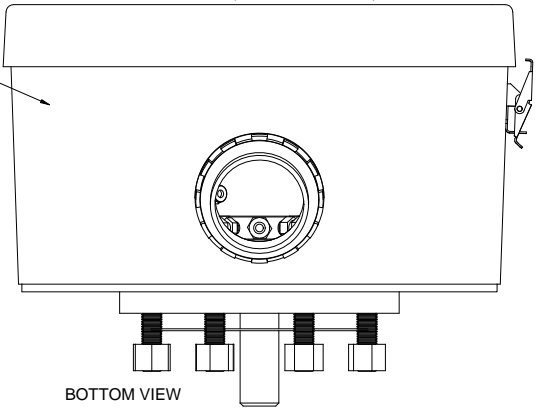
FRONT VIEW (DOOR REMOVED)



RIGHT SIDE VIEW

18" X 16" X 8" FIBERGLASS P/N 5023-1008  
OR  
16" X 14" X 8" 304 STAINLESS STEEL P/N 5023-0053  
ENCLOSURE

1/2" SOLIMIDE INSULATION  
P/N 8001-0028  
(ENTIRE INTERIOR OF ENCLOSURE)

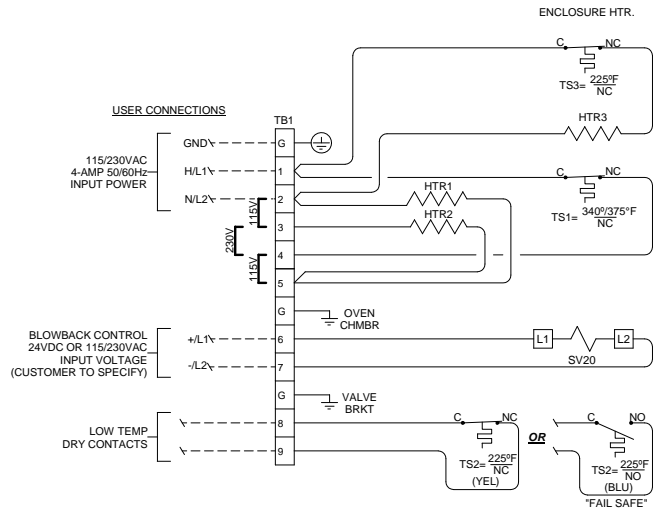


BOTTOM VIEW

SPARE PARTS LIST		
REQ'D	DESCRIPTION	U.A.I. P/N
1	KNOB O-RING VITON	4904-0016
2	FILTER O-RING VITON	4904-0015
1	CHECK VALVE	4955-0148
1	SOLENOID VALVE (24V)	4955-0010
	SOLENOID VALVE (115V)	4955-0002
	SOLENOID VALVE (230V)	4955-0005
1	ACID BLOCKER	5110-0015
1	7" ACCUMULATOR	4956-0001
1	ENCLOSURE HEATER (115V)	3014-0066
1	ENCLOSURE HEATER (230V)	3014-0067

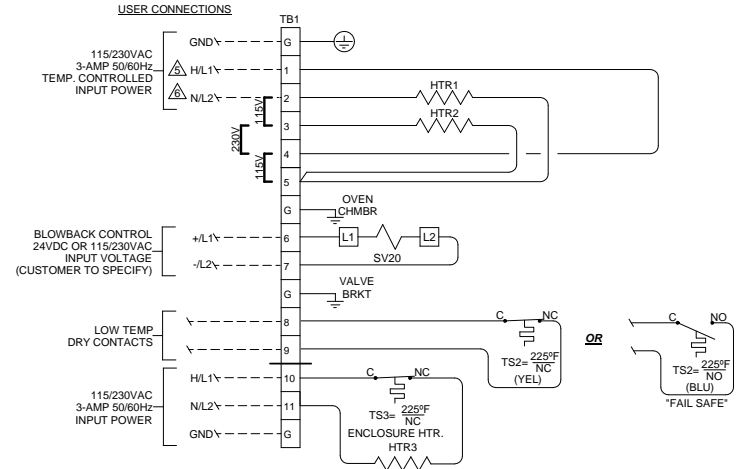
<b>UNIVERSAL ANALYZERS INC.</b>		H	04/07/08	REVISE ENCLOSURE ADD FLANGE NUTS GASKET AND PART NUMBERS	EM	GE	
1701 South Sutro Terrace Carson City, Nevada 89706 USA		REV	DATE	DESCRIPTION	DWN	APVD	
MODEL 270 S/C F-BB-FGH/SSH LAYOUT AND WIRING SCHEMATIC		REVISIONS					
		DATE	SCALE	SIZE	SHEET		
		06/23/2006	NTS	D	1 OF 4		
PART NO.	FOR	DRAWN BY	R. Wells	DRAWING NO.			
Not Issued	INSTRUMENT	APVD BY	G. Evans	P1081			

**THERMAL SWITCH TEMPERATURE CONTROL**

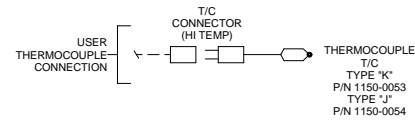
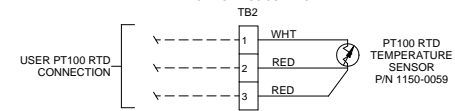


- NOTES:
- 1) FILTER HEATER ROD SPECIFICATIONS (HTR1 & HTR2):  
3/8" Ø X 1.5" LG @ 63 WATT/115VAC - U.A.I. P/N 3014-0046
  - 2) ENCLASURE HEATER TEMP CONTROL (TS3):  
NORMALLY CLOSED (NC) BELOW 225°F - U.A.I. P/N 3014-0013
  - 3) ENCLASURE HEATER SPECIFICATIONS (HTR3)  
STRIP HEATER FINNED - 115VAC @ 250W - P/N 3014-0066  
230VAC @ 300W - P/N 3014-0067
  - 4) LOW TEMP ALARM OPTIONS (TS2):  
YELLOW (YEL) - NORMALLY CLOSED (NC) BELOW 225°F - U.A.I. P/N 3103-0013  
BLUE (BLU) - NORMALLY OPEN (NO) BELOW 225°F - U.A.I. P/N 3103-0012
- ⚠️ USER CHAMBER HEATER CONTROL OPTION (TB1-1) MUST BE REGULATED WITH A TEMPERATURE CONTROLLING DEVICE. VERIFY THAT THE VOLTAGE BEING SUPPLIED MATCHES THE VOLTAGE RATING ON THE SERIAL TAG.
- ⚠️ USE LABEL 5001-0217. ADHERE TO BACKPLATE AND INSTALL ACROSS FROM TB1, TB2.
- 7) HIGH TEMPERATURE TERMINAL BLOCKS REQUIRED FOR HEATED ENCLASURES.
  - 8) SYSTEM IS CONFIGURED AT THE FACTORY FOR REQUIRED VOLTAGE - CONTACT U.A.I. FOR VOLTAGE CHANGE.
- FIELD TO WIRE ---

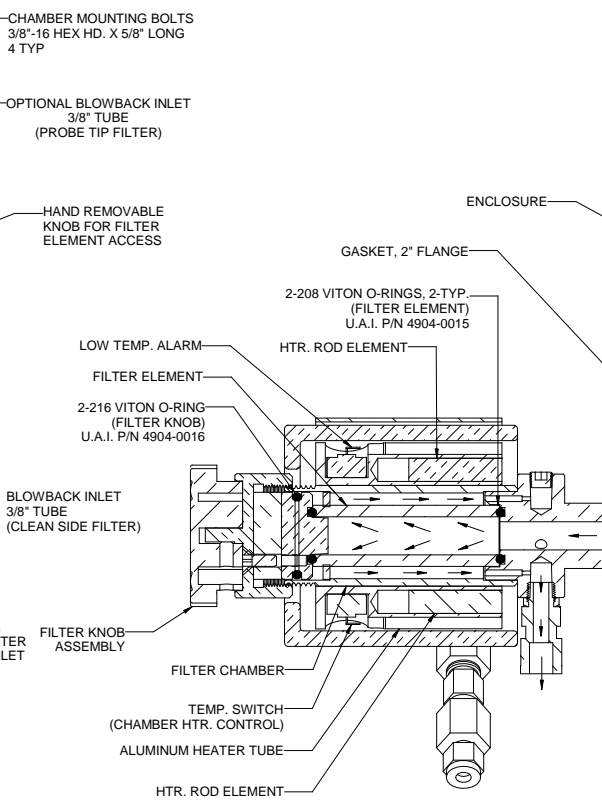
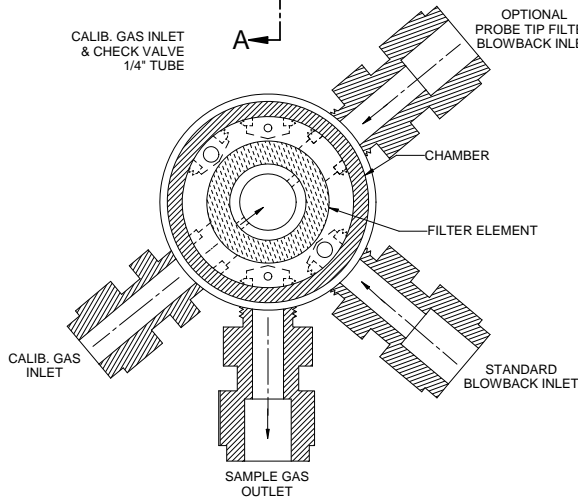
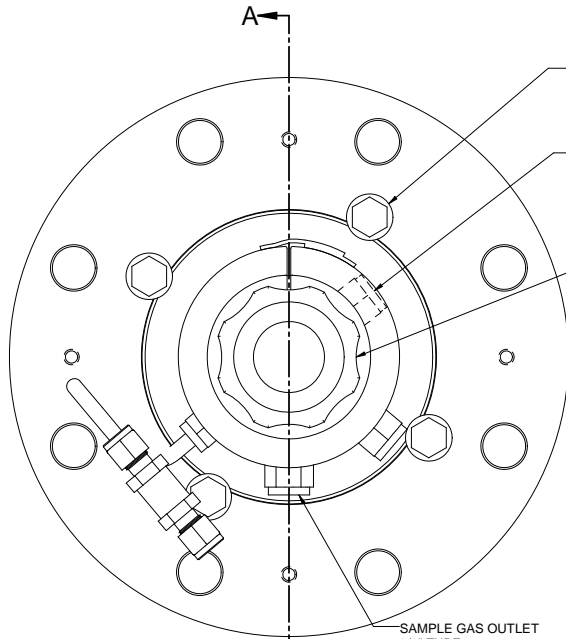
**REMOTE TEMPERATURE CONTROLLER**



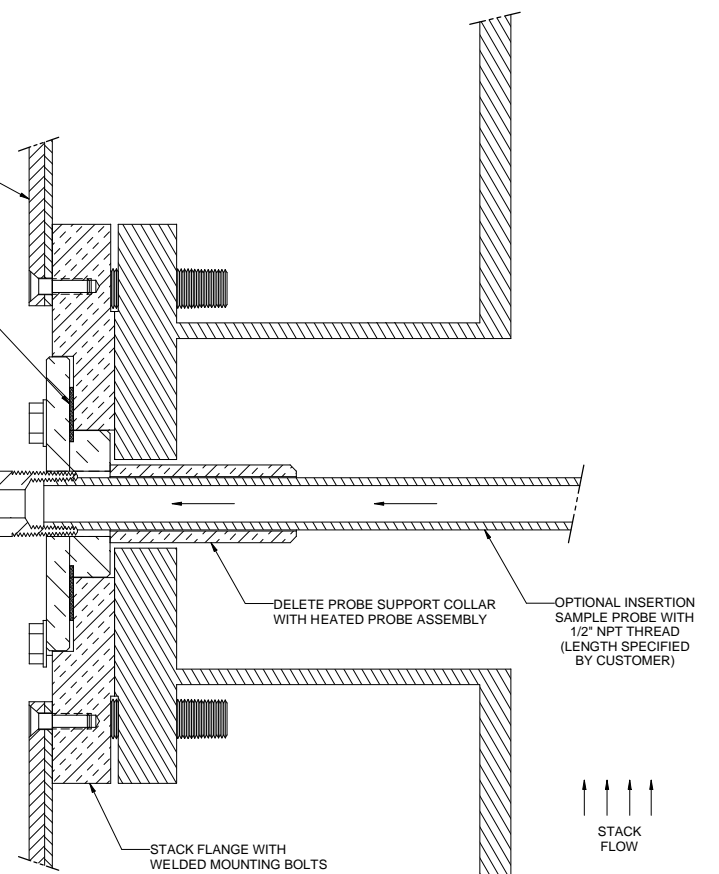
**OPTIONAL PT100 RTD FOR REMOTE FILTER HEATER TEMPERATURE MONITORING / CONTROL**



<b>UNIVERSAL ANALYZERS INC.</b> 1701 South Suro Terrace Carson City, Nevada 89706 USA		H	04/14/08	REVISIONS PER SHEETS 1 & 4	MW	GE	
		REV	DATE	DESCRIPTION	DWN	APVD	
MODEL 270 S/C F OPTIONAL WIRING SCHEMATICS		DATE	06/23/2006	SCALE	NTS	SIZE	D
		PART NO.	Not Issued	DRAWN BY	R. Wells	INSTRUMENT	DRAWING NO.



SECTION A-A



INTERNAL PORTING CONFIGURATION  
2:1

<b>UNIVERSAL ANALYZERS INC.</b>		H	04/07/08	REVISIONS PER SHEETS 1 & 4	EM	GE	
1701 South Sutrro Terrace Carson City, Nevada 89706 USA		REV	DATE	DESCRIPTION	DWN	APVD	
MODEL 270 S/C F TYPICAL INSTALLATION DIAGRAM		REVISIONS				SIZE	SHEET
PART NO.	FOR	DATE	SCALE	NTS	D	3 OF 4	
Not Issued	INSTRUMENT	06/23/2006	R. Wells	G. Evans	DRAWING NO. P1081		

8 | 7 | 6 | 5 | 4 | 3 | 2 | 1

D

C

B

A

D

C

B

A

2",3",4" OR 6" 150#  
316SS FLANGE WITH  
MOUNTING BOLTS

GASKET - 2" FLANGE  
P/N 4903-1002

SUB-FLANGE - MODEL 270SF  
WITH PROBE SUPPORT COLLAR  
316SS P/N 5150-0230  
C-276 P/N 5150-0277

DELETE PROBE SUPPORT COLLAR  
WITH HEATER PROBE ASSEMBLY  
316SS P/N 5150-0223  
C-276 P/N 5150-0276

FILTER CHAMBER ASSEMBLY  
W/ "FAIL SAFE" (NO BELOW 225°F) LOW TEMP SWITCH - U.A.I. P/N 3014-0026  
W/ "FAIL SAFE" (NO BELOW 225°F) LOW TEMP SWITCH - FM - U.A.I. P/N 3014-0046  
W/ (NC BELOW 225°F) LOW TEMP SWITCH - U.A.I. P/N 3014-0002  
W/ (NC BELOW 225°F) LOW TEMP SWITCH - FM - U.A.I. P/N 3014-0047

WASHERS - 3/8" FLAT  
P/N 4710-0043  
4 TYP.

BOLTS - CHAMBER SUB-FLANGE RETAINING  
3/8"-16 HEX HD. X 5/8" LONG  
P/N 4704-0140  
4 TYP.

<b>UNIVERSAL ANALYZERS INC.</b>		H	04/07/08	ADD APRTS NUMBERS	EM	GE	
1701 South Suro Terrace Carson City, Nevada 89706 USA		REV	DATE	DESCRIPTION	DWN	APVD	
MODEL 270 S/C F FLANGE MOUNT ASSEMBLY		REVISIONS				SIZE	SHEET
PART NO.		DATE	SCALE	NTS	D	4 OF 4	
FOR INSTRUMENT		06/23/2006	R. Wells	G. Evans	DRAWING NO. P1081		
Not Issued		APVD BY					

8 | 7 | 6 | 5 | 4 | 3 | 2 | 1