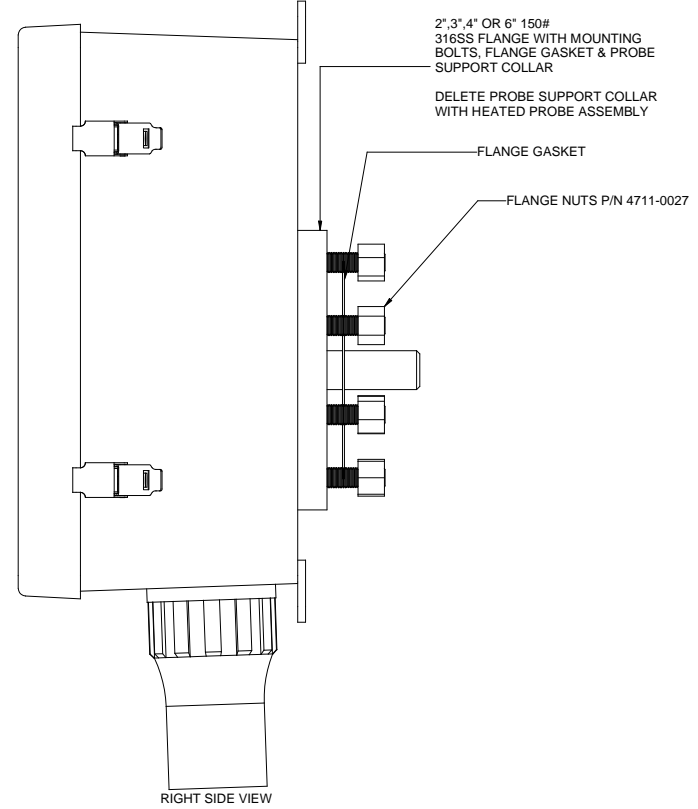


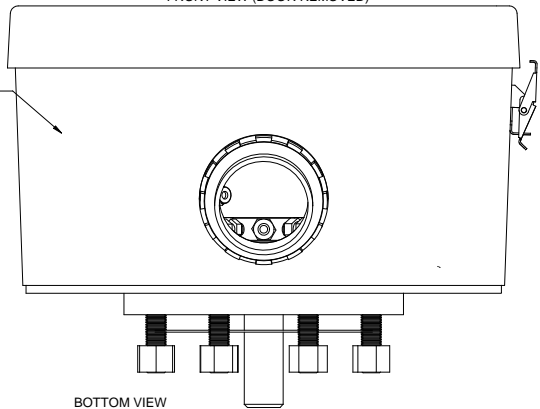
FRONT VIEW (DOOR REMOVED)



RIGHT SIDE VIEW

18" X 16" X 8" FIBERGLASS P/N 5023-1008  
OR  
16" X 14" X 8" 304 STAINLESS STEEL P/N 5023-0053  
ENCLOSURE

OPTIONAL  
1/2" SOLIMIDE INSULATION  
U.A.I. P/N 8001-0028  
(ENTIRE INTERIOR OF ENCLOSURE)



BOTTOM VIEW

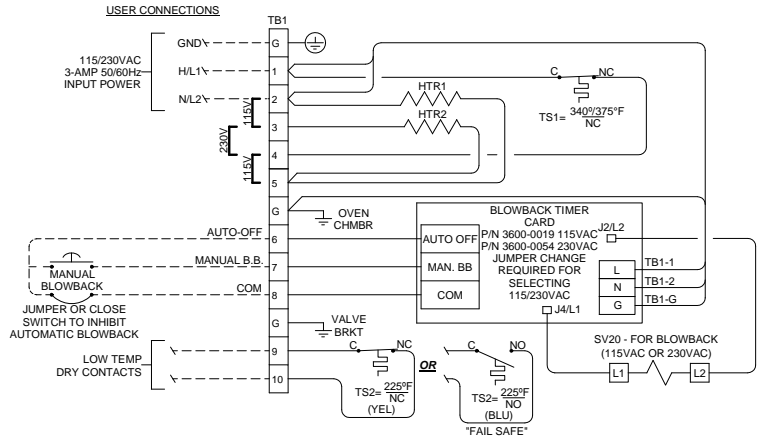
SPARE PARTS LIST		
REQ'D	DESCRIPTION	U.A.I. P/N
1	KNOB O-RING VITON	4904-0016
2	FILTER O-RING VITON	4904-0015
1	CHECK VALVE	4955-0148
1	SOLENOID VALVE (115V)	4955-0002
	SOLENOID VALVE (230V)	4955-0005
1	TIMER CARD (115V)	3600-0019
	TIMER CARD (230V)	3600-0054
1	ACID BLOCKER	5110-0015
1	7" ACCUMULATOR	4956-0001

**UNIVERSAL ANALYZERS INC.**  
1701 South Suro Terrace  
Carson City, Nevada 89706 USA

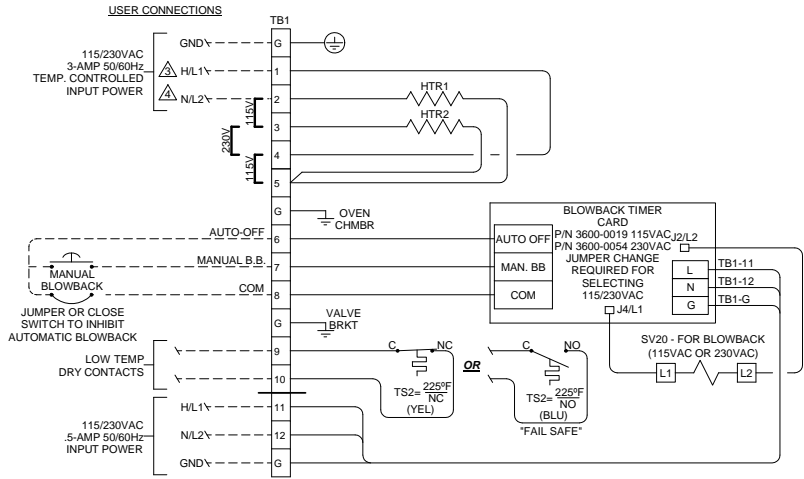
F	04/03/08	Revise Enclosure Add Flange Nuts, Gasket and Part Numbers	EM	GE
REV	DATE	DESCRIPTION	DWN	APVD
REVISIONS				
DATE	SCALE	SIZE	SHEET	
06/23/2006	NTS	D	1 OF 4	
PART NO.	FOR	DRAWN BY	R. Wells	DRAWING NO.
Not Issued	INSTRUMENT	APVD BY	G. Evans	P1080

8 | 7 | 6 | 5 | 4 | 3 | 2 | 1

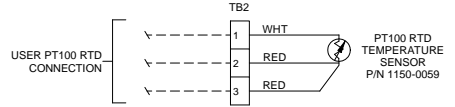
**THERMAL SWITCH TEMPERATURE CONTROL**



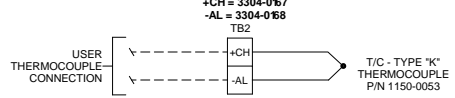
**REMOTE TEMPERATURE CONTROLLER**



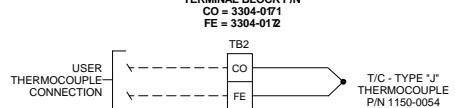
**OPTIONAL PT100 RTD FOR REMOTE FILTER HEATER TEMPERATURE MONITORING / CONTROL**



**THERMOCOUPLE FOR REMOTE FILTER HEATER TEMPERATURE MONITORING / CONTROL**



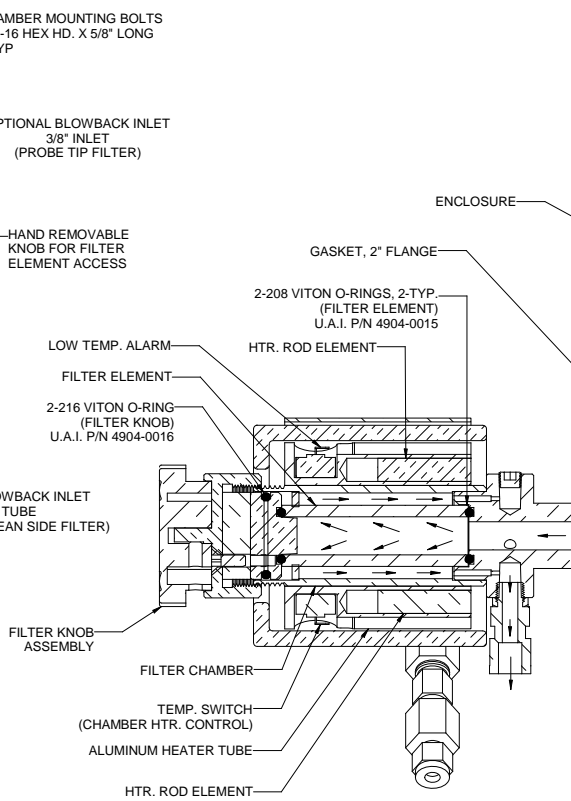
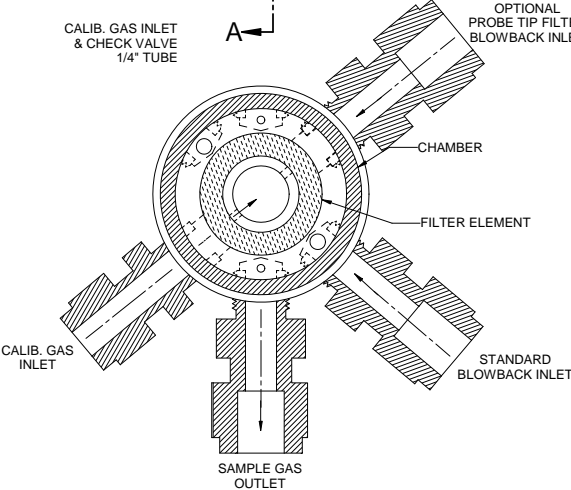
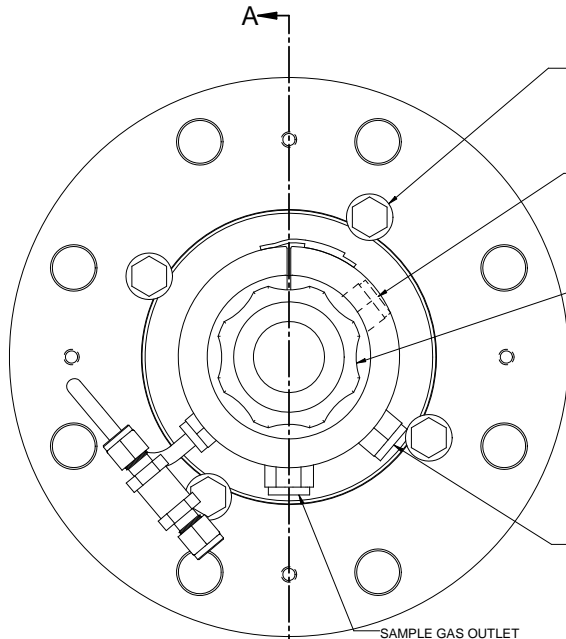
**THERMOCOUPLE FOR REMOTE FILTER HEATER TEMPERATURE MONITORING / CONTROL**



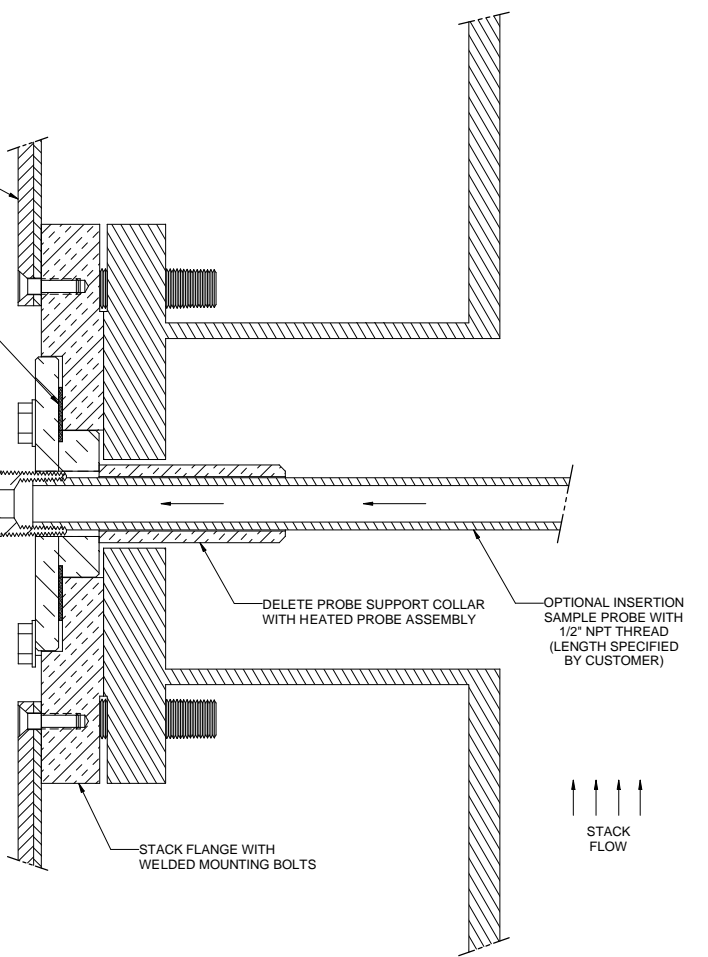
- NOTES:
- 1) FILTER HEATER ROD SPECIFICATIONS (HTR1 & HTR2):  
3/8" Ø X 1.5" LG @ 63 WATT/115VAC - U.A.I. P/N 3014-0046
  - 2) LOW TEMP ALARM OPTIONS (TS2):  
YELLOW (YEL) - NORMALLY CLOSED (NC) BELOW 225°F - U.A.I. P/N 3103-0013  
BLUE (BLU) - NORMALLY OPEN (NO) BELOW 225°F - U.A.I. P/N 3103-0012
  - 3) USER CHAMBER HEATER CONTROL OPTION (TB1-1) MUST BE REGULATED WITH A TEMPERATURE CONTROLLING DEVICE. VERIFY THAT THE VOLTAGE BEING SUPPLIED MATCHES THE VOLTAGE RATING ON THE SERIAL TAG.
  - 4) USE LABEL 5001-0217. ADHERE TO BACKPLATE AND INSTALL ACROSS FROM TB1, TB2.
  - 5) SYSTEM IS CONFIGURED AT THE FACTORY FOR REQUIRED VOLTAGE - CONTACT U.A.I. FOR VOLTAGE CHANGE.
- FIELD TO WIRE ---

<b>UNIVERSAL ANALYZERS INC.</b>		F 04/03/08	Add Part Numbers To Timer Card	EM	GE
1701 South Suro Terrace Carson City, Nevada 89706 USA		REV	DATE	DESCRIPTION	DWN/APVD
MODEL 270 S/C F					
OPTIONAL WIRING SCHEMATICS					
DATE		SCALE		SIZE	
06/23/2006		NTS		D	
PART NO.		DRAWN BY		SHEET	
Not Issued		R. Wells		2 OF 4	
FOR INSTRUMENT		APVD BY		DRAWING NO.	
		G. Evans		P1080	

8 | 7 | 6 | 5 | 4 | 3 | 2 | 1



SECTION A-A



INTERNAL PORTING CONFIGURATION  
2:1

<b>UNIVERSAL ANALYZERS INC.</b>		F	04/03/08	Revision Per Sheets 1, 2 & 4	EM	GE	
1701 South Sutrro Terrace Carson City, Nevada 89706 USA		REV	DATE	DESCRIPTION	DWN	APVD	
MODEL 270 S/C F TYPICAL INSTALLATION DIAGRAM		REVISIONS				SIZE	SHEET
PART NO.	FOR	DATE	SCALE	NTS	D	3 OF 4	
Not Issued	INSTRUMENT	DRAWN BY	R. Wells	APVD BY	G. Evans	DRAWING NO. P1080	

8 | 7 | 6 | 5 | 4 | 3 | 2 | 1

D

C

B

A

D

C

B

A

2",3",4" OR 6" 150#  
316SS FLANGE WITH  
MOUNTING BOLTS

GASKET - 2" FLANGE  
P/N 4903-1002

SUB-FLANGE - MODEL 270SF  
WITH PROBE SUPPORT COLLAR  
316SS P/N 5150-0230  
C-276 P/N 5150-0277

DELETE PROBE SUPPORT COLLAR  
WITH HEATER PROBE ASSEMBLY  
316SS P/N 5150-0223  
C-276 P/N 5150-0276

FILTER CHAMBER ASSEMBLY  
W/ "FAIL SAFE" (NO BELOW 225°F) LOW TEMP SWITCH - U.A.I. P/N 3014-0026  
W/ "FAIL SAFE" (NO BELOW 225°F) LOW TEMP SWITCH - FM - U.A.I. P/N 3014-0046  
W/ (NC BELOW 225°F) LOW TEMP SWITCH - U.A.I. P/N 3014-0002  
W/ (NC BELOW 225°F) LOW TEMP SWITCH - FM - U.A.I. P/N 3014-0047

WASHERS - 3/8" FLAT  
P/N 4710-0043  
4 TYP.

BOLTS - CHAMBER SUB-FLANGE RETAINING  
3/8"-16 HEX HD. X 5/8" LONG  
P/N 4704-0140  
4 TYP.

<b>UNIVERSAL ANALYZERS INC.</b>		F	04/03/08	Add Part Numbers	EM	GE
1701 South Suro Terrace Carson City, Nevada 89706 USA		REV	DATE	DESCRIPTION	DWN	APVD
MODEL 270 S/C F FLANGE MOUNT ASSEMBLY				REVISIONS		
DATE		SCALE		SIZE	SHEET	
06/23/2006		NTS		D	4 OF 4	
PART NO.	FOR	DRAWN BY	R. Wells	DRAWING NO.		
Not Issued	INSTRUMENT	APVD BY	G. Evans	P1080		

8 | 7 | 6 | 5 | 4 | 3 | 2 | 1