

18" X 16" X 8" FIBERGLASS P/N 5023-1008  
OR  
16" X 14" X 8" 304 STAINLESS STEEL P/N 5023-0053  
ENCLOSURE

OPTIONAL  
1/2" SOLIMIDE INSULATION  
P/N 8001-002B  
(ENTIRE INTERIOR OF ENCLOSURE)

SPARE PARTS LIST		
REQD	DESCRIPTION	U.A.I. P/N
1	KNOB O-RING VITON	4904-0016
2	FILTER O-RING VITON	4904-0015
1	CHECK VALVE	4955-0148
1	SOLENOID VALVE (24V)	4955-0010
1	SOLENOID VALVE (115V)	4956-0002
1	SOLENOID VALVE (230V)	4955-0005
1	ACID BLOCKER	5110-0015
1	7" ACCUMULATOR	4956-0001

**UNIVERSAL ANALYZERS INC.**  
1701 South Suro Terrace  
Carson City, Nevada 89706 USA

REV	DATE	DESCRIPTION	DWN	APVD
G	04/03/08	REVISE ENCLOSURE ADD FLANGE NUTS GASKET AND PART NUMBERS	EM	GE

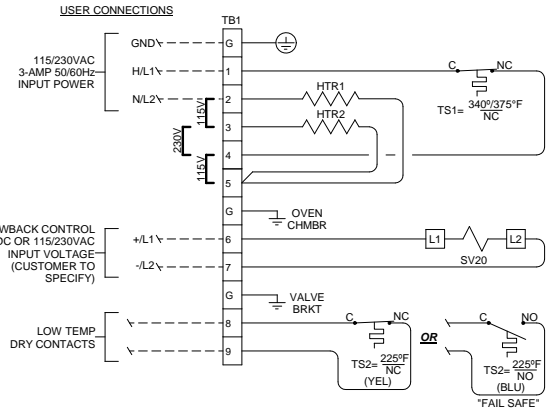
MODEL 270 S/C F-BB-FG(I)/SS(I)  
LAYOUT AND WIRING SCHEMATIC

PART NO.	FOR	DATE	SCALE	SIZE	SHEET
Not Issued	INSTRUMENT	06/23/2006	NTS	D	1 OF 4

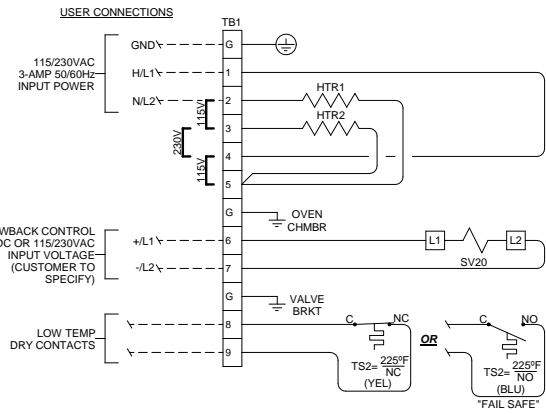
DRAWN BY R. Wells  
APVD BY G. Evans  
DRAWING NO. P1079

8 | 7 | 6 | 5 | 4 | 3 | 2 | 1

**THERMAL SWITCH TEMPERATURE CONTROL**



**REMOTE TEMPERATURE CONTROLLER**

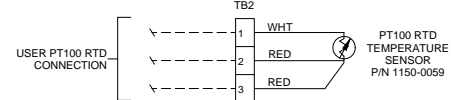


NOTES:

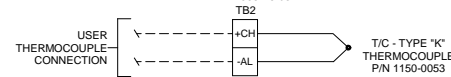
- 1) FILTER HEATER ROD SPECIFICATIONS (HTR1 & HTR2):  
3/8" Ø X 1.5" LG @ 63 WATT/115VAC - P/N 3014-0046
- 2) OVEN TEMP CONTROL OPTIONS (TS1):  
NORMALLY CLOSED (NC) BELOW 340°F - P/N 3103-0014  
NORMALLY CLOSED (NC) BELOW 375°F - P/N 3103-0061
- 3) REMOVE TEMP CONTROL SWITCH IF UNIT IS TO BE CONTROLLED REMOTELY.  
ADD LABEL P/N 5001-0217
- 4) LOW TEMP ALARM OPTIONS (TS2):  
YELLOW (YEL) - NORMALLY CLOSED (NC) BELOW 225°F - P/N 3103-0013  
BLUE (BLU) - NORMALLY OPEN (NO) BELOW 225°F - P/N 3103-0012
- 5) SYSTEM IS CONFIGURED AT THE FACTORY FOR REQUIRED VOLTAGE -  
CONTACT U.A.I. FOR VOLTAGE CHANGE.

-----  
FIELD TO WIRE

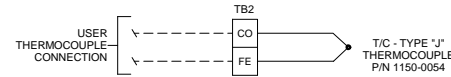
**OPTIONAL  
PT100 RTD FOR REMOTE FILTER  
HEATER TEMPERATURE  
MONITORING / CONTROL**



**THERMOCOUPLE FOR REMOTE  
FILTER HEATER TEMPERATURE  
MONITORING / CONTROL  
TERMINAL BLOCK P/N  
+CH = 3304-0167  
-AL = 3304-0168**

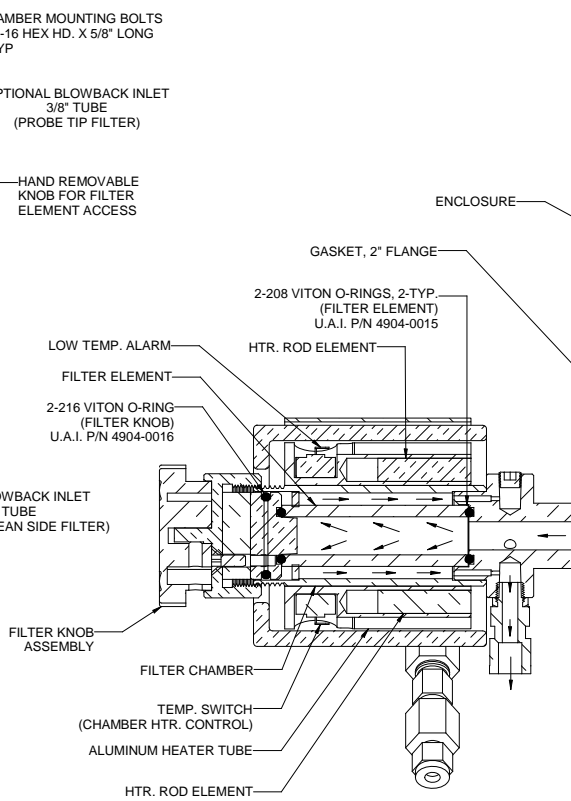
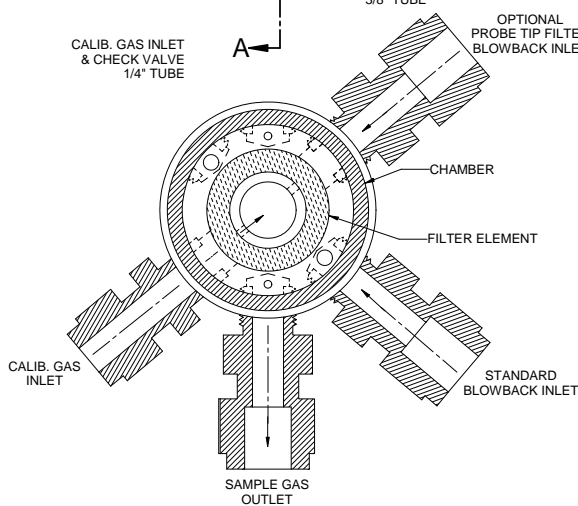
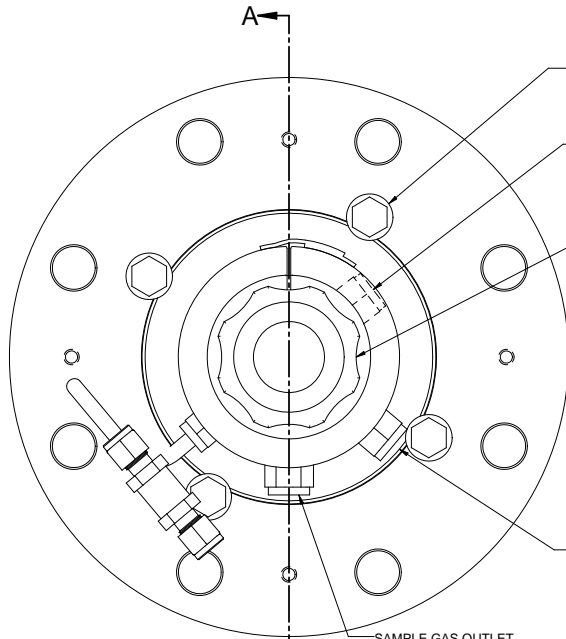


**THERMOCOUPLE FOR REMOTE  
FILTER HEATER TEMPERATURE  
MONITORING / CONTROL  
TERMINAL BLOCK P/N  
CO = 3304-0171  
FE = 3304-0172**

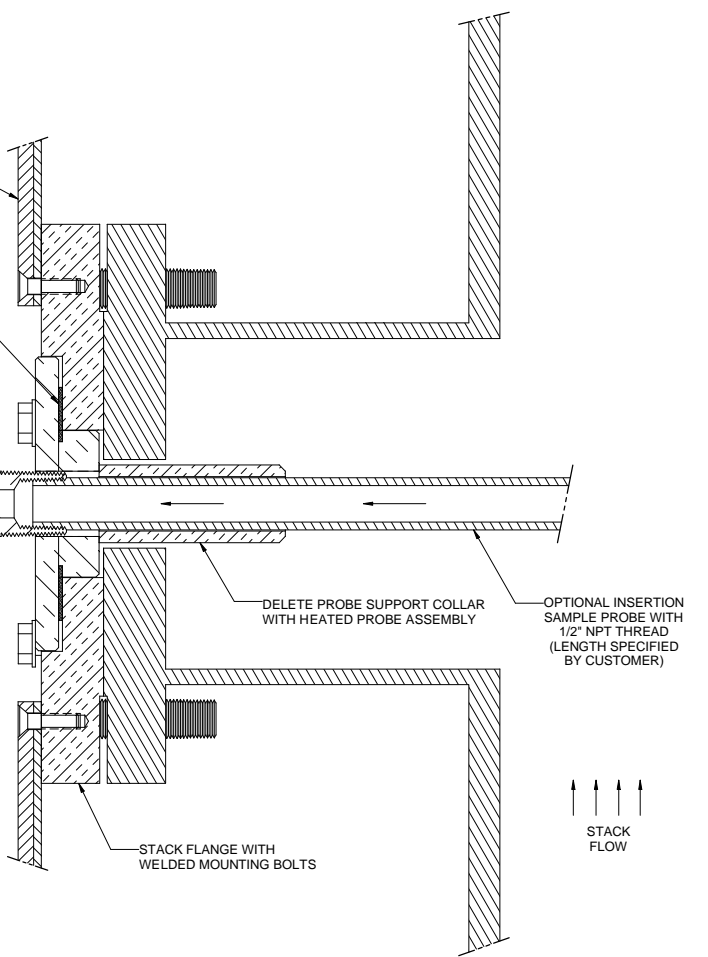


8 | 7 | 6 | 5 | 4 | 3 | 2 | 1

<b>UNIVERSAL ANALYZERS INC.</b>		G	04/03/08	Revision Per Sheets 1 & 4	EM	GE	
1701 South Sutor Terrace Carson City, Nevada 89706 USA		REV	DATE	DESCRIPTION	DWN	APVD	
MODEL 270 S/C F OPTIONAL WIRING SCHEMATICS		REVISIONS				SIZE	SHEET
DATE: 06/23/2006		SCALE: NTS		DRAWN BY: R. Wells		D	2 OF 4
PART NO. Not Issued		FOR INSTRUMENT		APVD BY: G. Evans		DRAWING NO. P1079	



SECTION A-A



INTERNAL PORTING CONFIGURATION  
2:1

<b>UNIVERSAL ANALYZERS INC.</b>		G	04/03/08	Revision Per Sheets 1 & 4	EM	GE	
1701 South Sutrro Terrace Carson City, Nevada 89706 USA		REV	DATE	DESCRIPTION	DWN	APVD	
MODEL 270 S/C F TYPICAL INSTALLATION DIAGRAM		REVISIONS				SIZE	SHEET
DATE 06/23/2006		SCALE NTS		DRAWN BY R. Wells		INSTRUMENT	DRAWING NO. P1079
PART NO. Not Issued		FOR INSTRUMENT		APVD BY G. Evans		3 OF 4	3 OF 4

8 | 7 | 6 | 5 | 4 | 3 | 2 | 1

D

C

B

A

D

C

B

A

2",3",4" OR 6" 150#  
316SS FLANGE WITH  
MOUNTING BOLTS

GASKET - 2" FLANGE  
P/N 4903-1002

SUB-FLANGE - MODEL 270SF  
WITH PROBE SUPPORT COLLAR  
316SS P/N 5150-0230  
C-276 P/N 5150-0277

DELETE PROBE SUPPORT COLLAR  
WITH HEATER PROBE ASSEMBLY  
316SS P/N 5150-0223  
C-276 P/N 5150-0276

FILTER CHAMBER ASSEMBLY  
W/ "FAIL SAFE" (NO BELOW 225°F) LOW TEMP SWITCH - U.A.I. P/N 3014-0026  
W/ "FAIL SAFE" (NO BELOW 225°F) LOW TEMP SWITCH - FM - U.A.I. P/N 3014-0046  
W/ (NC BELOW 225°F) LOW TEMP SWITCH - U.A.I. P/N 3014-0002  
W/ (NC BELOW 225°F) LOW TEMP SWITCH - FM - U.A.I. P/N 3014-0047

WASHERS - 3/8" FLAT  
P/N 4710-0043  
4 TYP.

BOLTS - CHAMBER SUB-FLANGE RETAINING  
3/8"-16 HEX HD. X 5/8" LONG  
P/N 4704-0140  
4 TYP.

<b>UNIVERSAL ANALYZERS INC.</b>		G	04/03/08	Add Part Numbers	EM	GE
1701 South Suro Terrace Carson City, Nevada 89706 USA		REV	DATE	DESCRIPTION	DWN	APVD
MODEL 270 S/C F FLANGE MOUNT ASSEMBLY				REVISIONS		
DATE		SCALE		SIZE	SHEET	
06/23/2006		NTS		D	4 OF 4	
PART NO.	FOR	DRAWN BY	R. Wells	DRAWING NO.		
Not Issued	INSTRUMENT	APVD BY	G. Evans	P1079		

8 | 7 | 6 | 5 | 4 | 3 | 2 | 1