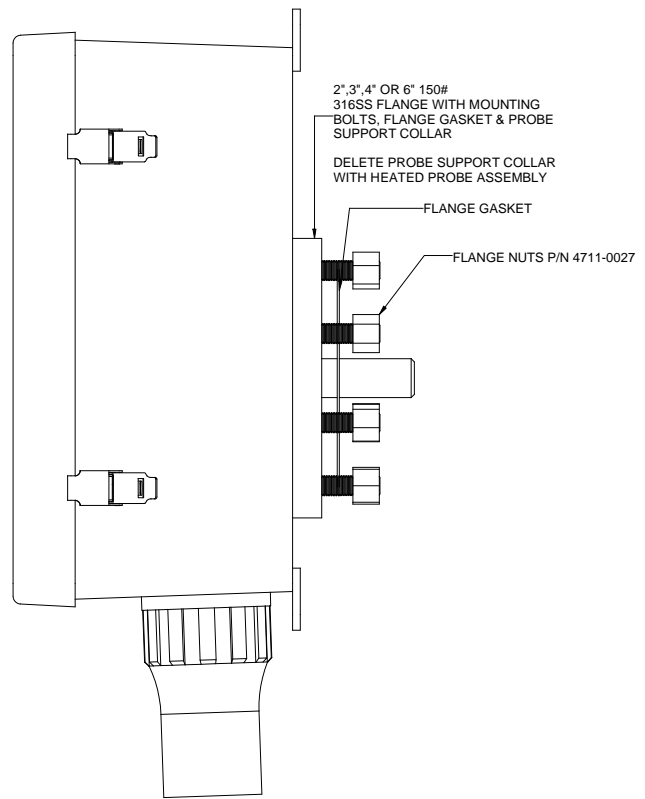


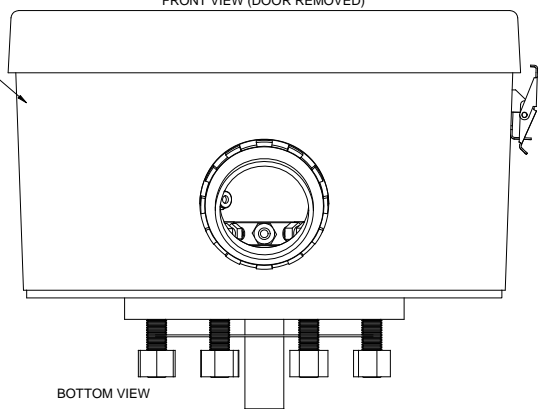
FRONT VIEW (DOOR REMOVED)



RIGHT SIDE VIEW

18" X 16" X 8" FIBERGLASS P/N 5023-1008  
OR  
16" X 14" X 8" 304 STAINLESS STEEL P/N 5023-0053  
ENCLOSURE

OPTIONAL  
1/2" SOLIMIDE INSULATION  
P/N 8001-0028  
(ENTIRE INTERIOR OF ENCLOSURE)

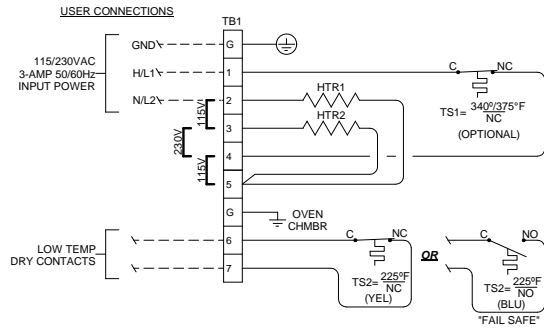


BOTTOM VIEW

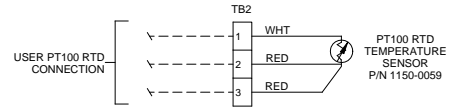
SPARE PARTS LIST		
REQD	DESCRIPTION	U.A.I. P/N
1	KNOB O-RING VITON	4904-0016
2	FILTER O-RING VITON	4904-0015
1	CHECK VALVE	4955-0148

<b>UNIVERSAL ANALYZERS INC.</b> 1701 South Sutrro Terrace Carson City, Nevada 89706 USA	E	03/31/08	REVISE ENCLOSURE ADD FLANGE NUTS GASKET AND PART NUMBERS	EM	GE
	REV	DATE	DESCRIPTION	DWN	APVD
MODEL 270 S/C F-FG(I)/SS(I) LAYOUT AND WIRING SCHEMATIC			REVISIONS		
DATE		06/23/2006	SCALE	NTS	SIZE
DRAWN BY		R. Wells	DRAWING NO.		P1078
PART NO.		Not Issued	FOR		INSTRUMENT
APVD BY		G. Evans	SHEET 1 OF 4		

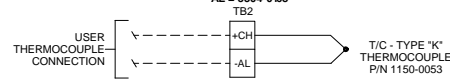
THERMAL SWITCH TEMPERATURE CONTROL



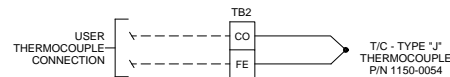
OPTIONAL  
PT100 RTD FOR REMOTE  
HEATER TEMPERATURE  
MONITORING / CONTROL



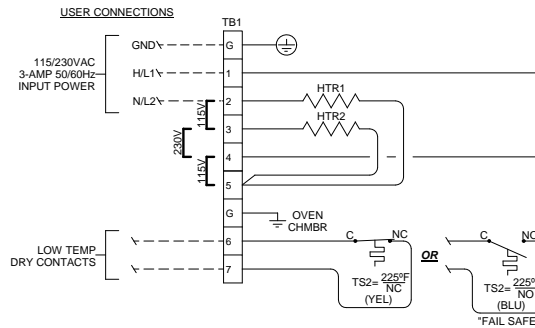
THERMOCOUPLE FOR REMOTE  
FILTER HEATER TEMPERATURE  
MONITORING / CONTROL  
TERMINAL BLOCK P/N  
+CH = 3304-067  
-AL = 3304-068



THERMOCOUPLE FOR REMOTE  
FILTER HEATER TEMPERATURE  
MONITORING / CONTROL  
TERMINAL BLOCK P/N  
CO = 3304-071  
FE = 3304-012



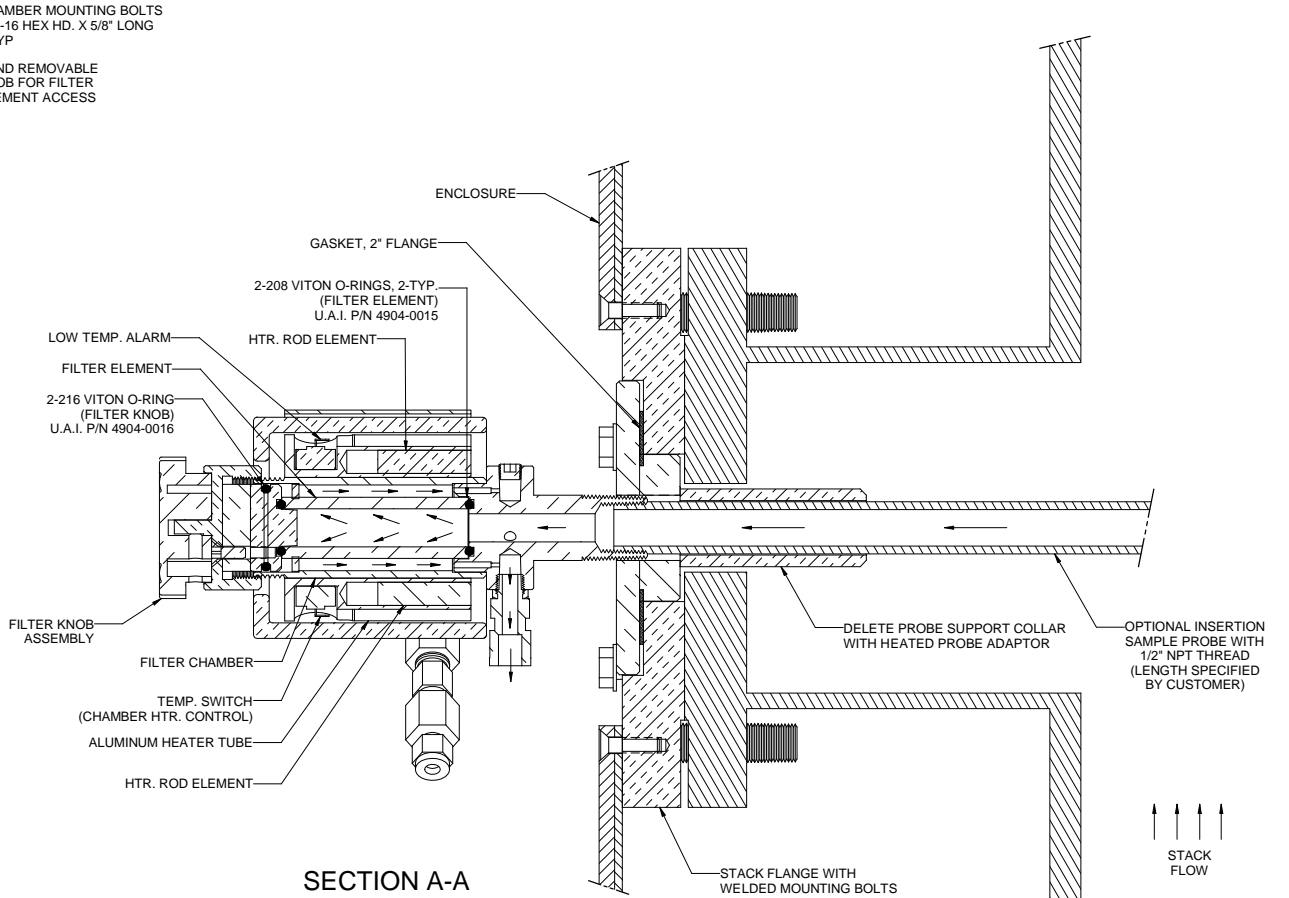
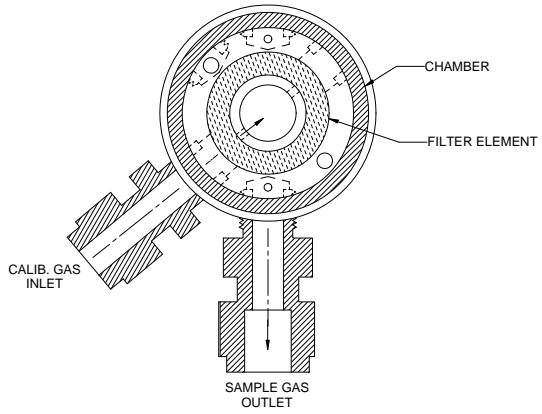
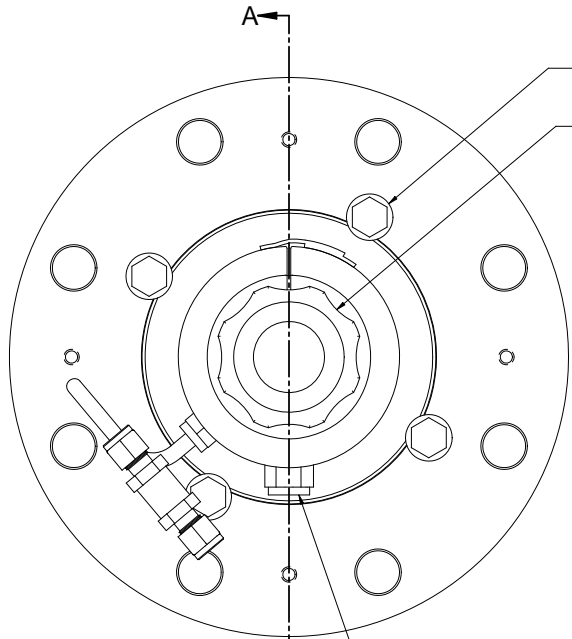
REMOTE TEMPERATURE CONTROL



- NOTES:
- 1) FILTER HEATER ROD SPECIFICATIONS (HTR1 & HTR2):  
3/8" Ø X 1.5" LG @ 63 WATT/115VAC - P/N 3014-0046
  - 2) OVEN TEMP CONTROL OPTIONS (TS1):  
NORMALLY CLOSED (NC) BELOW 340°F - P/N 3103-0014  
NORMALLY CLOSED (NC) BELOW 375°F - P/N 3103-0061
  - 3) REMOVE TEMP CONTROL SWITCH IF UNIT IS TO BE CONTROLLED REMOTELY  
ADD LABEL P/N 5001-0217.
  - 4) LOW TEMP ALARM OPTIONS (TS2):  
YELLOW (YEL) - NORMALLY CLOSED (NC) BELOW 225°F - P/N 3103-0013  
BLUE (BLU) - NORMALLY OPEN (NO) BELOW 225°F - P/N 3103-0012
  - 5) SYSTEM IS CONFIGURED AT THE FACTORY FOR REQUIRED VOLTAGE -  
CONTACT U.A.I. FOR VOLTAGE CHANGE.

-----  
FIELD TO WIRE

<b>UNIVERSAL ANALYZERS INC.</b>		E	03/31/08	Revision Per Sheets 1 & 4	EM	GE	
1701 South Suro Terrace Carson City, Nevada 89706 USA		REV	DATE	DESCRIPTION	DWN	APVD	
MODEL 270 S/C F OPTIONAL WIRING SCHEMATICS		REVISIONS					
PART NO.	FOR	DATE	SCALE	SIZE	SHEET		
Not Issued	INSTRUMENT	06/23/2006	NTS	D	2 OF 4		
		DRAWN BY	R. Wells	DRAWING NO.			
		APVD BY	G. Evans	P1078			



INTERNAL PORTING CONFIGURATION  
2:1

<b>UNIVERSAL ANALYZERS INC.</b>		E	03/31/08	Revision Per Sheets 1 & 4	EM	GE	
1701 South Sutrro Terrace Carson City, Nevada 89706 USA		REV	DATE	DESCRIPTION	DWN	APVD	
MODEL 270 S/C F TYPICAL INSTALLATION DIAGRAM		REVISIONS					
PART NO.	FOR	DATE	SCALE	SIZE	SHEET		
Not Issued	INSTRUMENT	06/23/2006	NTS	D	3 OF 4		
		DRAWN BY	R. Wells	DRAWING NO.			
		APVD BY	G. Evans	P1078			

8 | 7 | 6 | 5 | 4 | 3 | 2 | 1

D

C

B

A

D

C

B

A

2",3",4" OR 6" 150#  
316SS FLANGE WITH  
MOUNTING BOLTS

GASKET - 2" FLANGE  
P/N 4903-1002

SUB-FLANGE - MODEL 270SF  
WITH PROBE SUPPORT COLLAR  
316SS P/N 5150-0230  
C-276 P/N 5150-0277

DELETE PROBE SUPPORT COLLAR  
WITH HEATER PROBE ASSEMBLY  
USE P/N 316SS 5150-0223  
C-276 5150-0276

FILTER CHAMBER ASSEMBLY  
W/ "FAIL SAFE" (NO BELOW 225°F) LOW TEMP SWITCH - U.A.I. P/N 3014-0026  
W/ "FAIL SAFE" (NO BELOW 225°F) LOW TEMP SWITCH - FM - U.A.I. P/N 3014-0046  
W/ (NC BELOW 225°F) LOW TEMP SWITCH - U.A.I. P/N 3014-0002  
W/ (NC BELOW 225°F) LOW TEMP SWITCH - FM - U.A.I. P/N 3014-0047

WASHERS - 3/8" FLAT  
P/N 4710-0043  
4 TYP.

BOLTS - CHAMBER SUB-FLANGE RETAINING  
3/8"-16 HEX HD. X 5/8" LONG  
P/N 4704-0140  
4 TYP.

<b>UNIVERSAL ANALYZERS INC.</b>		E	03/31/08	ADD PART NUMBERS	EM	GE
1701 South Suro Terrace Carson City, Nevada 89706 USA		REV	DATE	DESCRIPTION	DWN	APVD
MODEL 270 S/C F FLANGE MOUNT ASSEMBLY				REVISIONS		
DATE		SCALE		SIZE	SHEET	
06/23/2006		NTS		D	4 OF 4	
PART NO.	FOR	DRAWN BY	R. Wells	DRAWING NO.		
Not Issued	INSTRUMENT	APVD BY	G. Evans	P1078		

8 | 7 | 6 | 5 | 4 | 3 | 2 | 1