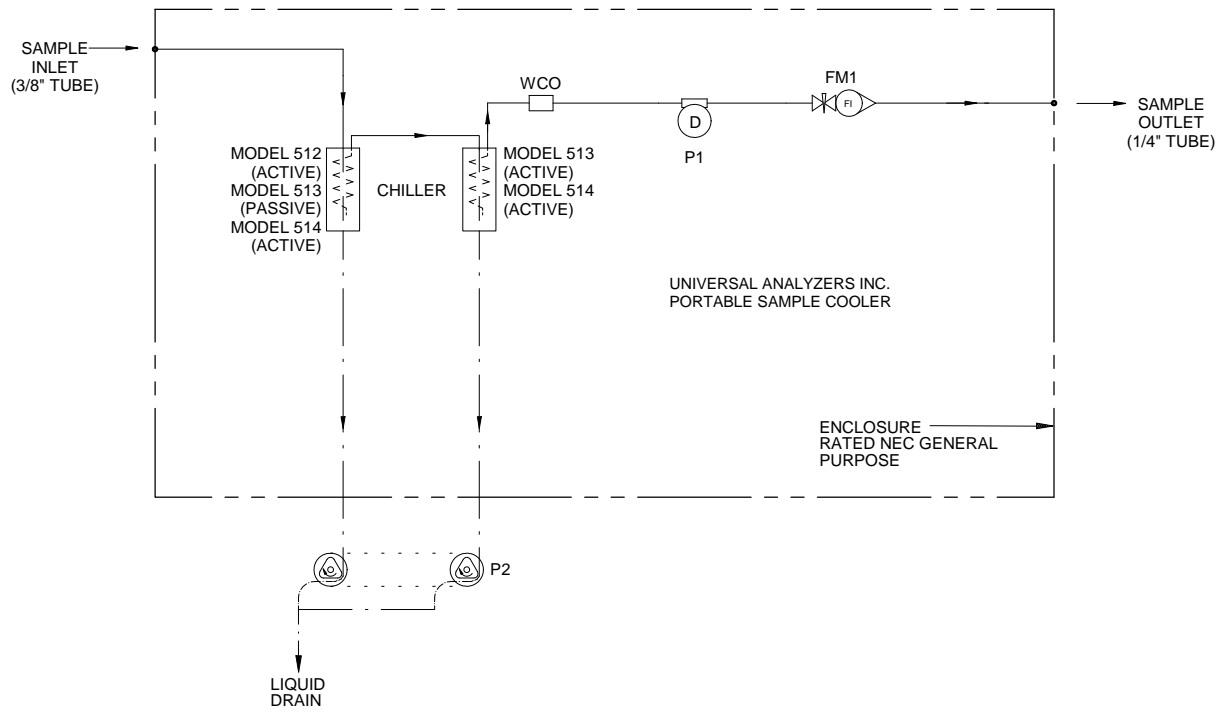


- 1). VIEWS ARE SHOWN IN MODEL 514 CONFIGURATION.
- 2). COVER REMOVED ON THE FRONT AND TOP VIEWS TO SHOWN INTERIOR.
- 3). SEE SHEET 2 FOR P & ID.
- 4). SEE SHEET 3 FOR ELECTRICAL SCHEMATIC.

Model #	# of Impingers	Active/Passive
512	1	(1) Active
513	2	(1) Active (1) Passive
514	2	(2) Active

UNIVERSAL ANALYZERS INC.		H	02/05/08	Revised Per Sheet 3	MW	GE
1701 South Sutrro Terrace Carson City, Nevada 89706 USA		REV	DATE	DESCRIPTION	DWN	APVD
Model 512, 513 & 514 Layout & Dimensions		DATE	04/01/2003	REVISIONS	SCALE	SIZE
PART NO.	FOR	DRAWN BY	R. Harder	DRAWING NO.	1:2	D
NOT ISSUED	Sample Cooler, Portable 115 VAC	APVD BY	T. Barben	P0703		SHEET 1 OF 3



Item	Qty	Description	UAI Part No.
WCO	1	Water Carry Over Sensor Kynar Panel Mount	6020-0005
P1	1	Sample Pump - Micro Dia-Vac 115Vac Alum/TFE Single Head	4958-0118
P2	1	Peristaltic Drain Pump - 115Vac Single Head (Model 512)	4958-0027
P2	1	Peristaltic Drain Pump - 115Vac Dual Head (Model 513 & 514)	4958-0057
FM1	1	Flowmeter w/ Needle Valve 0-5 l/m	4965-0008
CHILLER	1	Universal Analyzers Model 512, 513, 514 PV or S.S.	0000-0000

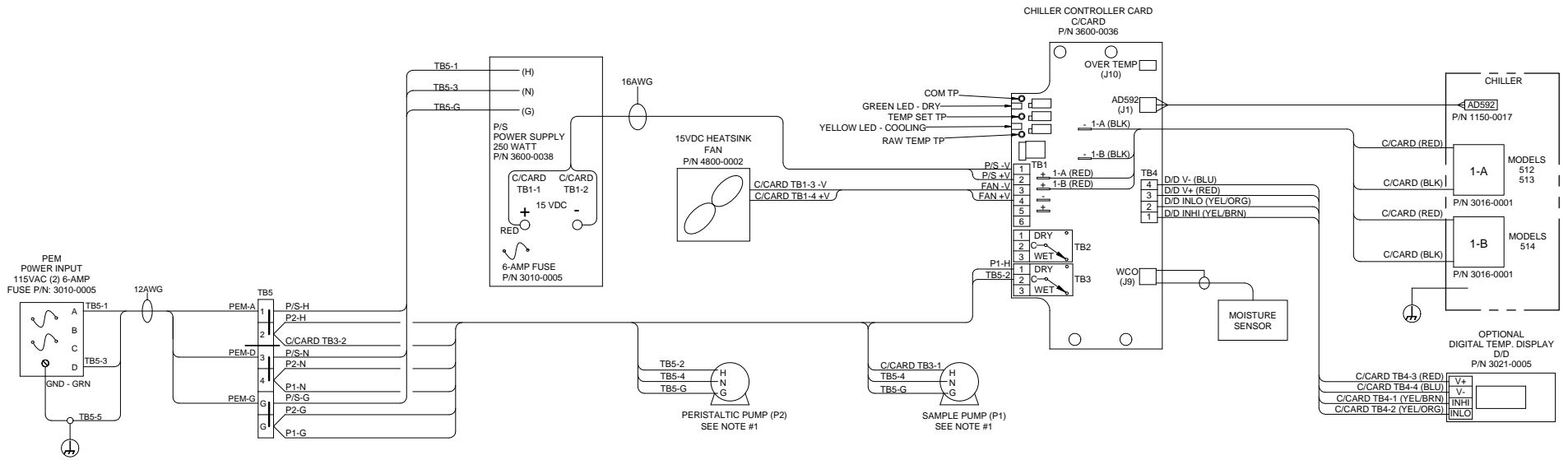
Model #	# of Impingers	Active/Passive
512	1	(1) Active
513	2	(1) Active (1) Passive
514	2	(2) Active

UNIVERSAL ANALYZERS INC.
 1701 South Sutro Terrace
 Carson City, Nevada 89706 USA

H	02/05/08	Revised Per Sheet 3	MW	GE
REV	DATE	DESCRIPTION	DWN	APVD
DATE		SCALE	SIZE	SHEET
04/01/2003	NTS	D	2 OF 3	
PART NO.	FOR	DRAWN BY	R. Harder	DRAWING NO.
NOT ISSUED	Sample Cooler, Portable 115 VAC	APVD BY	T. Barben	P0703

CONDUIT AND WIRING NOTES

- ELECTRICAL AREA CLASSIFICATION: INSIDE - GENERAL PURPOSE SYSTEM IS CONFIGURED AT THE FACTORY FOR REQUIRED VOLTAGE. CONTACT FACTORY FOR VOLTAGE CHANGE REQUIREMENTS
- AC WIRING SHALL BE INDIVIDUAL CONDUCTORS OF STRANDED TINNED COPPER WITH 300V, TYPE TFE INSULATION. MINIMUM WIRE SIZE SHALL BE 18 AWG
 COLOR CODE SHALL BE AS FOLLOWS:
 115VAC
 HOT - BLACK
 NEUTRAL - WHITE
 GROUND - GREEN
- DC CONTROL WIRING SHALL BE INDIVIDUAL CONDUCTORS OF STRANDED TINNED COPPER WITH 300V, TYPE TFE INSULATION. MINIMUM WIRE SIZE SHALL BE 18 AWG.
 COLOR CODE SHALL BE AS FOLLOWS:
 + RED
 - BLUE
- DC SIGNAL WIRING SHALL BE INDIVIDUAL CONDUCTORS OF STRANDED TINNED COPPER WITH 300V, TYPE TFE INSULATION. MINIMUM WIRE SIZE SHALL BE 18 AWG.
 COLOR CODE SHALL BE AS FOLLOWS:
 COMMON - YELLOW
 SWITCH - YELLOW



UNIVERSAL ANALYZERS INC.		H	02/05/08	Corrected Labels For TEC	MW	GE
1701 South Suro Terrace Carson City, Nevada 89706 USA		REV	DATE	DESCRIPTION	DWN	APVD
Model 512, 513 & 514 Electrical Schematic		REVISIONS				
PART NO.	FOR	DATE	SCALE	SIZE	SHEET	
NOT ISSUED	Sample Cooler, Portable 115 VAC	04/01/2003	NTS	D	3 OF 3	
		DRAWN BY	R. Harder	DRAWING NO.		
		APVD BY	T. Barben	P0703		