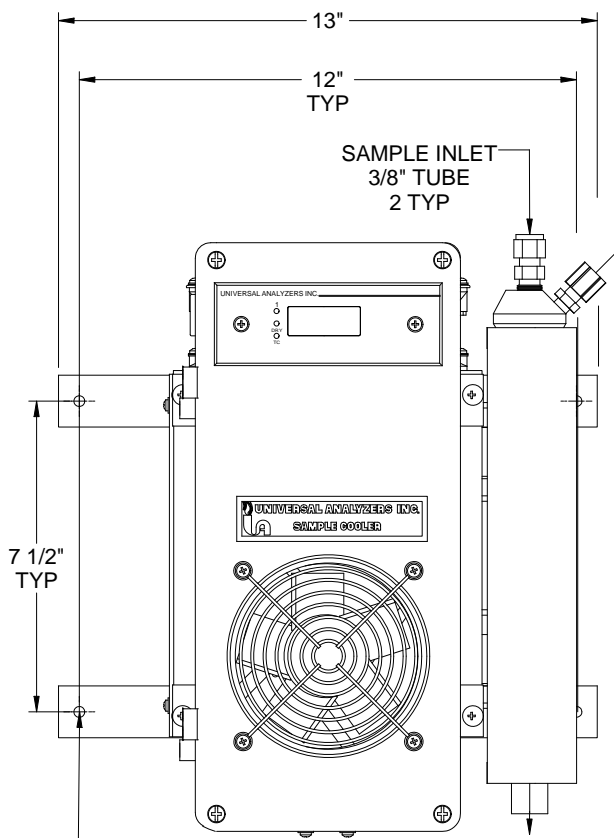


LEFT SIDE

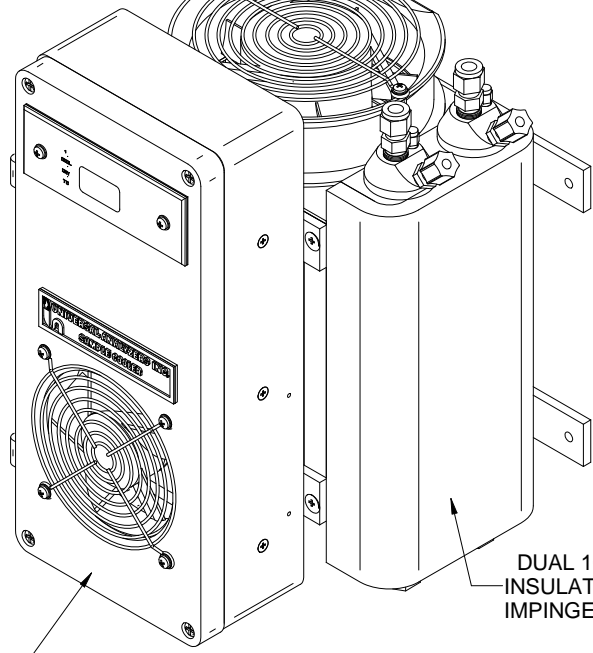


FRONT

MOUNTING HOLES FOR  
1/4" HARDWARE  
(SUPPLIED BY OTHERS)  
4 TYP

SAMPLE OUTLET  
1/4" TUBE  
2 TYP

COOLING FAN  
(UPWARD FLOW)



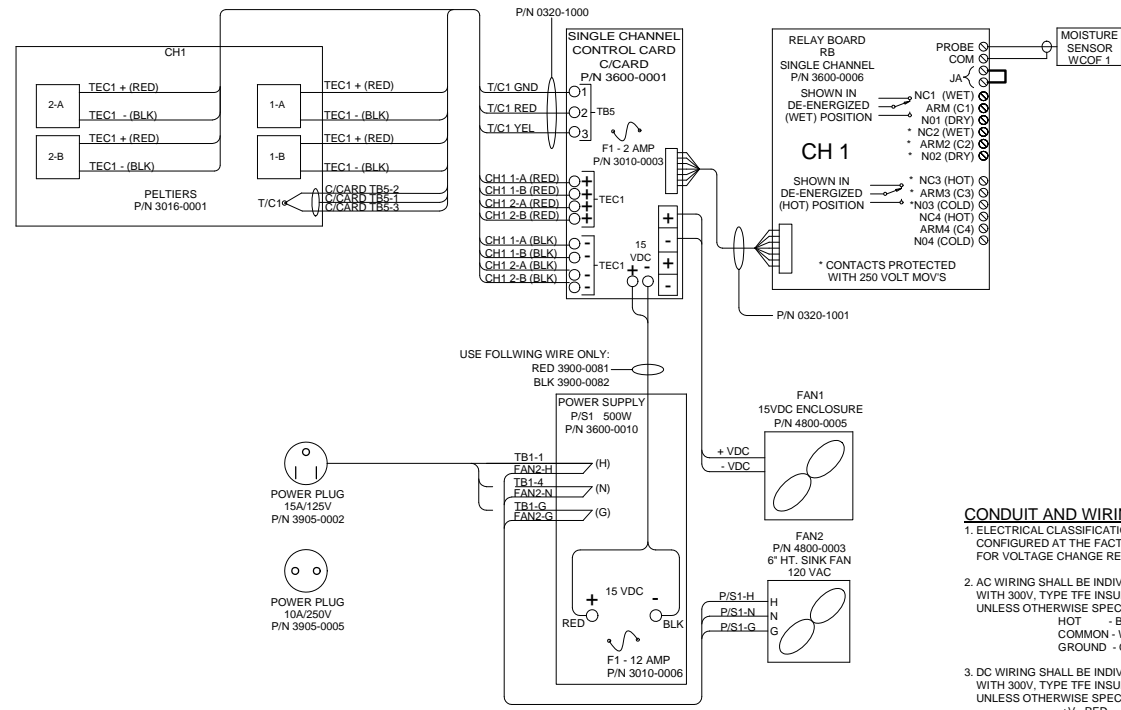
DUAL 10" INSULATED IMPINGERS

SINGLE CHANNEL CONTROLLER & POWER SUPPLY ENCLOSURE

SEE SHEET 2 FOR WIRING SCHEMATIC

<b>UNIVERSAL ANALYZERS INC.</b> 1701 South SutröTerrace Carson City, Nevada 89706 USA		C 11/06/07 Revised Per Sheet 2 REV DATE DESCRIPTION REVISIONS DATE SCALE SIZE SHEET 12/19/1997 NTS D 1 OF 2 DRAWN BY E. Musselman DRAWING NO. P0247 APVD BY T. Barben	RW GE DWN APVD
<b>MODEL 1060 SAMPLE COOLER ARRANGEMENT</b>			
PART NO.	FOR		
NOT ISSUED	N/A		

8 | 7 | 6 | 5 | 4 | 3 | 2 | 1



**CONDUIT AND WIRING NOTES**

- ELECTRICAL CLASSIFICATION : INSIDE - GENERAL PURPOSE SYSTEM IS CONFIGURED AT THE FACTORY FOR REQUIRED VOLTAGE. CONTACT FACTORY FOR VOLTAGE CHANGE REQUIREMENTS.
- AC WIRING SHALL BE INDIVIDUAL CONDUCTORS OF STRANDED TINNED COPPER WITH 300V, TYPE TFE INSULATION. MINIMUM WIRE SIZE SHALL BE 18 AWG UNLESS OTHERWISE SPECIFIED. COLOR CODE SHALL BE AS FOLLOWS:  
HOT - BLACK  
COMMON - WHITE  
GROUND - GREEN
- DC WIRING SHALL BE INDIVIDUAL CONDUCTORS OF STRANDED TINNED COPPER WITH 300V, TYPE TFE INSULATION. MINIMUM WIRE SIZE SHALL BE 22 AWG UNLESS OTHERWISE SPECIFIED. COLOR CODE SHALL BE AS FOLLOWS:  
+V - RED  
0V - BLACK

**RELAY BOARD NOTES**

- USER CONNECTIONS TO MOISTURE SENSOR RELAY ENERGIZED WHEN SENSOR IS DRY (DRY LED ON). RATING: 1/10HP 120VAC 5A 240VAC/32VDC RESISTIVE.
- USER CONNECTIONS TO 'AT TEMPERATURE' RELAY ENERGIZED WHEN BELOW SET TEMPERATURE (COOL LED ON). RATING: 1/10HP 120VAC 5A 240VAC/32VDC RESISTIVE.

----- FIELD TO WIRE -----

		C 11/06/07	Add Ferrite Beads For RF Suppression	RW	GE
1701 South SutroTerrace Carson City, Nevada 89706 USA		REV	DATE	DESCRIPTION	DWN/APVD
<b>MODEL 1060 SAMPLE COOLER WIRING SCHEMATIC</b>					
PART NO.		SCALE		DRAWING NO.	
NOT ISSUED		N/A		P0247	
DATE		SIZE		SHEET	
12/19/1997		D		2 OF 2	
DRAWN BY		APVD BY		SHEET	
E. Musselman		T. Barben		2 OF 2	

8 | 7 | 6 | 5 | 4 | 3 | 2 | 1