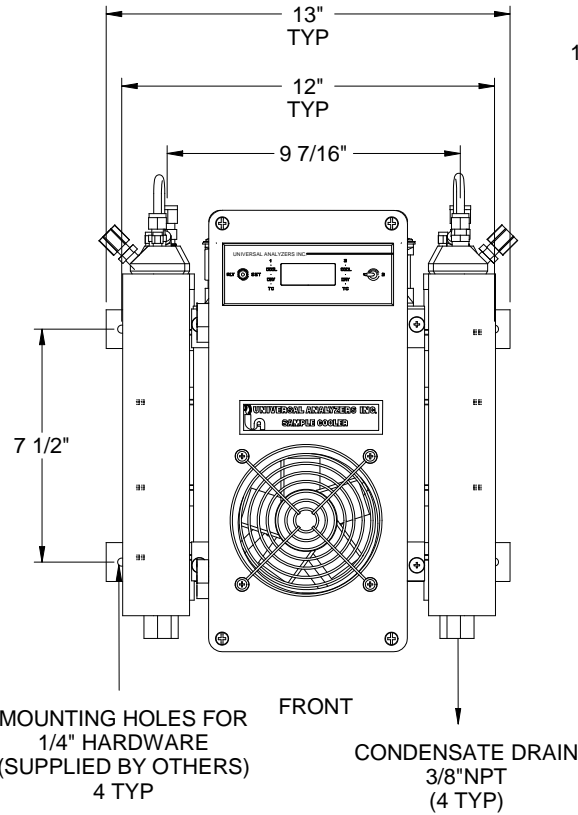


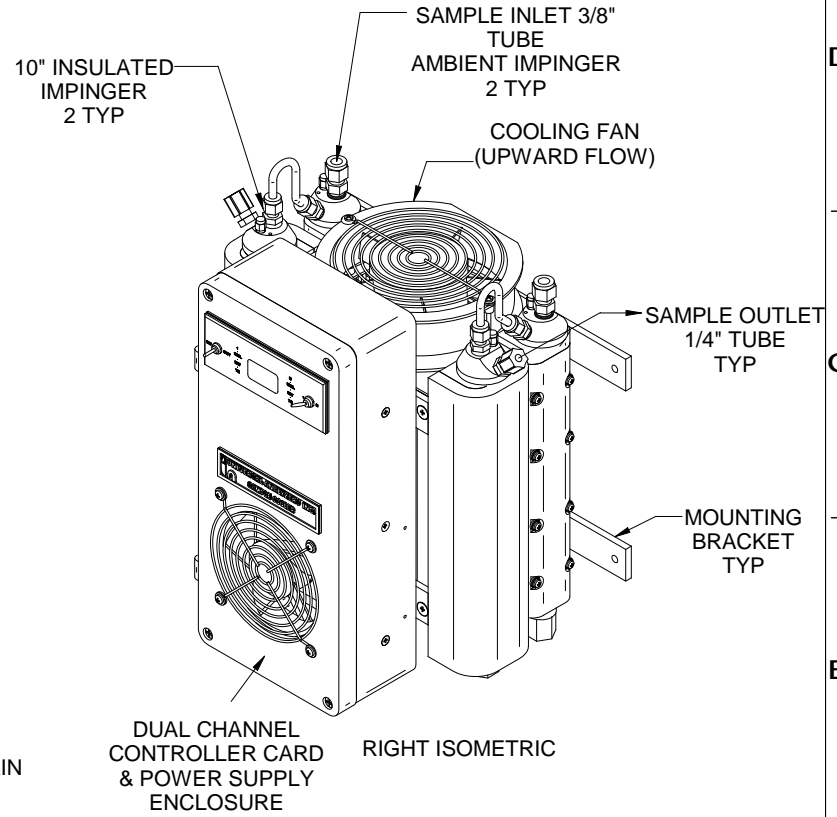
LEFT SIDE



FRONT

MOUNTING HOLES FOR  
1/4" HARDWARE  
(SUPPLIED BY OTHERS)  
4 TYP

CONDENSATE DRAIN  
3/8"NPT  
(4 TYP)

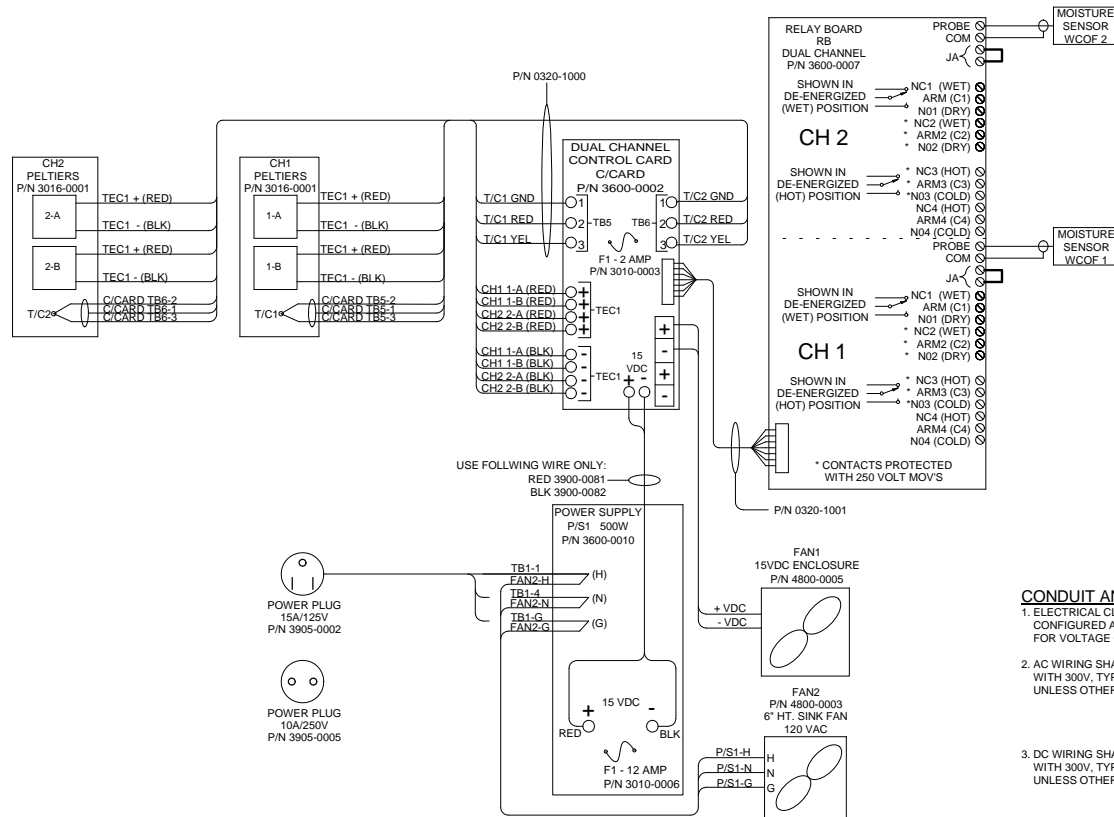


RIGHT ISOMETRIC

SEE SHEET 2 FOR WIRING SCHEMATIC

<b>UNIVERSAL ANALYZERS INC.</b> 1701 South SutroTerrace Carson City, Nevada 89706 USA		E 11/06/07 Revised Per Sheet 2 REV DATE DESCRIPTION DWNJ APVD	RW GE
<b>MODEL 1090 SAMPLE COOLER ARRANGEMENT</b>		REVISIONS	
PART NO. NOT ISSUED	FOR N/A	DATE 03/14/1993	SCALE NTS
DRAWN BY APVD BY E. Musselman T. Barben		SIZE D	SHEET 1 OF 2
		DRAWING NO. <b>P0041</b>	

8 | 7 | 6 | 5 | 4 | 3 | 2 | 1



**CONDUIT AND WIRING NOTES**

- ELECTRICAL CLASSIFICATION : INSIDE - GENERAL PURPOSE SYSTEM IS CONFIGURED AT THE FACTORY FOR REQUIRED VOLTAGE. CONTACT FACTORY FOR VOLTAGE CHANGE REQUIREMENTS.
- AC WIRING SHALL BE INDIVIDUAL CONDUCTORS OF STRANDED TINNED COPPER WITH 300V, TYPE TFE INSULATION. MINIMUM WIRE SIZE SHALL BE 18 AWG UNLESS OTHERWISE SPECIFIED. COLOR CODE SHALL BE AS FOLLOWS:  
 HOT - BLACK  
 COMMON - WHITE  
 GROUND - GREEN
- DC WIRING SHALL BE INDIVIDUAL CONDUCTORS OF STRANDED TINNED COPPER WITH 300V, TYPE TFE INSULATION. MINIMUM WIRE SIZE SHALL BE 22 AWG UNLESS OTHERWISE SPECIFIED. COLOR CODE SHALL BE AS FOLLOWS:  
 +V - RED  
 0V - BLACK

**RELAY BOARD NOTES**

- USER CONNECTIONS TO MOISTURE SENSOR RELAY ENERGIZED WHEN SENSOR IS DRY (DRY LED ON). RATING: 1/10HP 120VAC 5A 240VAC/32VDC RESISTIVE.
- USER CONNECTIONS TO 'AT TEMPERATURE' RELAY ENERGIZED WHEN BELOW SET TEMPERATURE (COOL LED ON). RATING: 1/10HP 120VAC 5A 240VAC/32VDC RESISTIVE.

----- FIELD TO WIRE -----

<b>UNIVERSAL ANALYZERS INC.</b>		E	11/06/07	Add Ferrite Beads For RF Suppression	RW	GE
1701 South SutrøTerrace Carson City, Nevada 89706 USA		REV	DATE	DESCRIPTION	DWN	APVD
<b>MODEL 1090 SAMPLE COOLER WIRING SCHEMATIC</b>						
PART NO.		SCALE		SIZE		SHEET
NOT ISSUED		N/A		D		2 OF 2
DRAWN BY E. Musselman		DATE 03/14/1993		DRAWING NO. P0041		
APVD BY T. Barben						

8 | 7 | 6 | 5 | 4 | 3 | 2 | 1