

MOUNTING HOLES FOR
1/4" HARDWARE
(SUPPLIED BY OTHERS)
4 TYP

SINGLE CHANNEL
CONTROLLER CARD
& POWER SUPPLY
ENCLOSURE

SEE SHEET 2 FOR WIRING SCHEMATIC.

UNIVERSAL ANALYZERS INC.		E 11/06/07	Revised Per Sheet 2	RW	GE
1701 South SutrøTerrace Carson City, Nevada 89706 USA		REV	DATE	DESCRIPTION	DWN/ APVD
REVISIONS					
MODEL 1050 SAMPLE COOLER ARRANGEMENT		DATE	SCALE	SIZE	SHEET
		10/28/2006	NTS	D	1 OF 2
PART NO.	FOR	DRAWN BY		DRAWING NO.	
NOT ISSUED	N/A	E. Musselman		P0013	
		APVD BY		T. Barben	

8 7 6 5 4 3 2 1

D

D

C

C

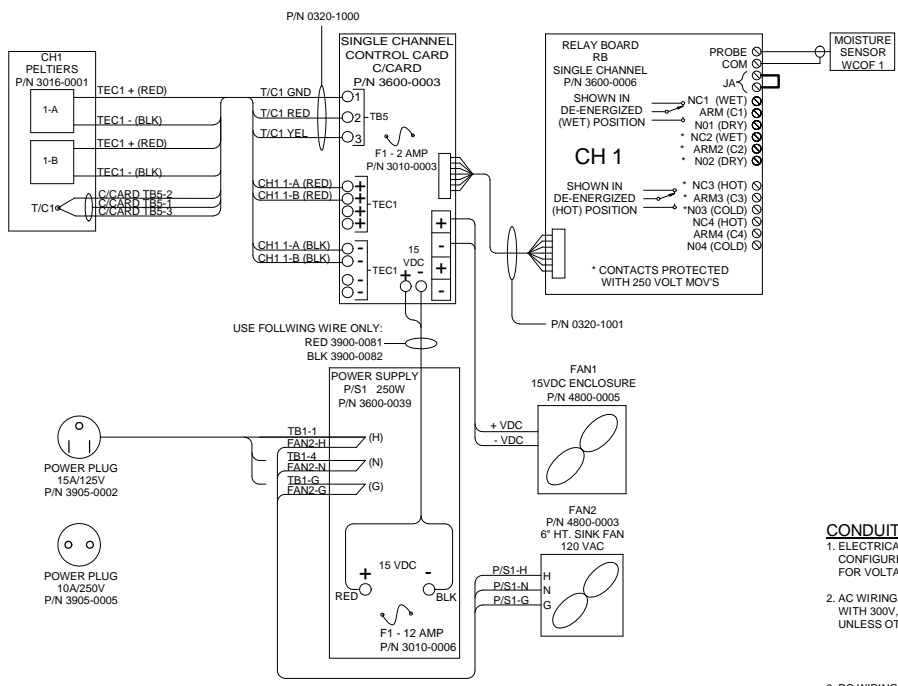
B

B

A

A

8 7 6 5 4 3 2 1



CONDUIT AND WIRING NOTES

- ELECTRICAL CLASSIFICATION : INSIDE - GENERAL PURPOSE SYSTEM IS CONFIGURED AT THE FACTORY FOR REQUIRED VOLTAGE. CONTACT FACTORY FOR VOLTAGE CHANGE REQUIREMENTS.
- AC WIRING SHALL BE INDIVIDUAL CONDUCTORS OF STRANDED TINNED COPPER WITH 300V, TYPE TFE INSULATION. MINIMUM WIRE SIZE SHALL BE 18 AWG UNLESS OTHERWISE SPECIFIED. COLOR CODE SHALL BE AS FOLLOWS:
HOT - BLACK
COMMON - WHITE
GROUND - GREEN
- DC WIRING SHALL BE INDIVIDUAL CONDUCTORS OF STRANDED TINNED COPPER WITH 300V, TYPE TFE INSULATION. MINIMUM WIRE SIZE SHALL BE 22 AWG UNLESS OTHERWISE SPECIFIED. COLOR CODE SHALL BE AS FOLLOWS:
+V - RED
0V - BLACK

RELAY BOARD NOTES

- USER CONNECTIONS TO MOISTURE SENSOR RELAY ENERGIZED WHEN SENSOR IS DRY (DRY LED ON). RATING: 1/10HP 120VAC 5A 240VAC/32VDC RESISTIVE.
- USER CONNECTIONS TO 'AT TEMPERATURE' RELAY ENERGIZED WHEN BELOW SET TEMPERATURE (COOL LED ON). RATING: 1/10HP 120VAC 5A 240VAC/32VDC RESISTIVE.

----- FIELD TO WIRE -----

UNIVERSAL ANALYZERS INC.		E	11/06/07	Add Ferrite Beads For RF Suppression	RW	GE
1701 South SutröTerrace Carson City, Nevada 89706 USA		REV	DATE	DESCRIPTION	DWN	APVD
MODEL 1050 SAMPLE COOLER						
WIRING SCHEMATIC						
PART NO.	FOR	DATE	SCALE	NTS	SIZE	SHEET
NOT ISSUED	N/A	10/28/2006			D	2 OF 2
DRAWN BY E. Musselman		APVD BY T. Barben		DRAWING NO.		P0013