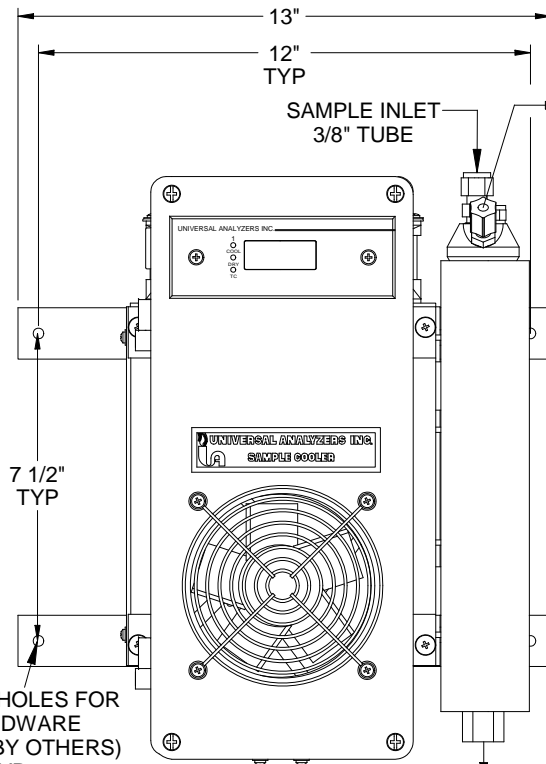


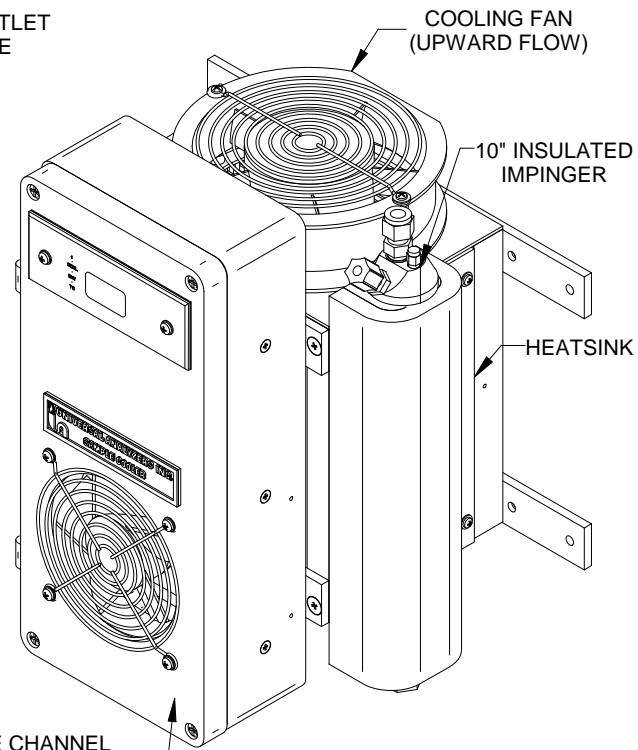
LEFT SIDE



FRONT

MOUNTING HOLES FOR  
1/4" HARDWARE  
(SUPPLIED BY OTHERS)  
4 TYP

CONDENSATE  
DRAIN  
3/8"NPT



SINGLE CHANNEL  
CONTROLLER & POWER  
SUPPLY ENCLOSURE

SEE SHEET 2 FOR WIRING SCHEMATIC

<b>UNIVERSAL ANALYZERS INC.</b> 1701 South SutröTerrace Carson City, Nevada 89706 USA		D 11/06/07 Revised Per Sheet 2 REV DATE DESCRIPTION DWNJ APVD
<b>MODEL 1040 SAMPLE COOLER ARRANGEMENT</b>		REVISIONS DATE SCALE SIZE SHEET 02/05/1992 NTS D 1 OF 2
PART NO. NOT ISSUED	FOR N/A	DRAWN BY E. Musselman APVD BY T. Barben DRAWING NO. <b>P0012</b>

8 | 7 | 6 | 5 | 4 | 3 | 2 | 1

D

D

C

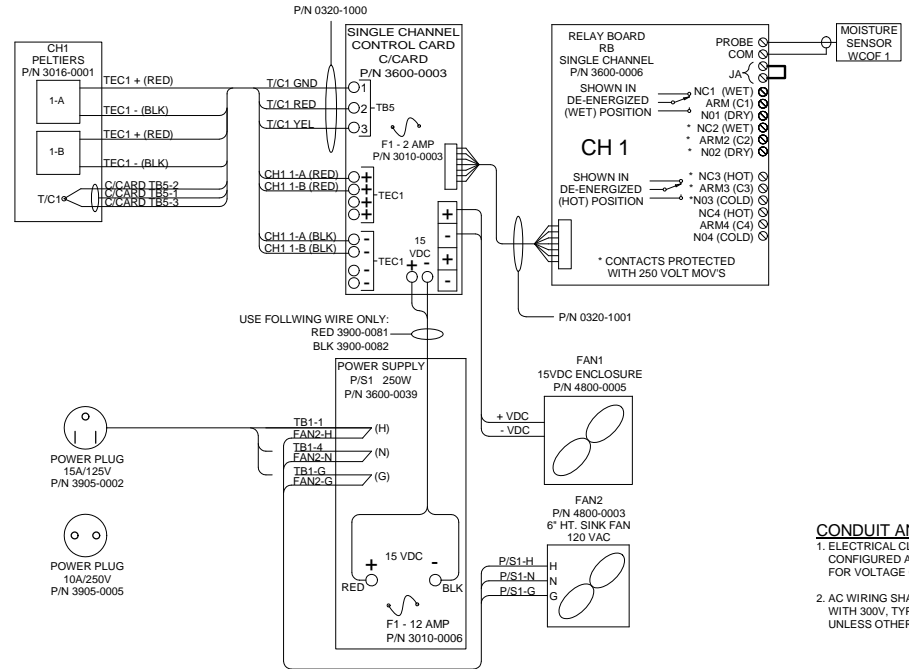
C

B

B

A

A



**CONDUIT AND WIRING NOTES**

- ELECTRICAL CLASSIFICATION : INSIDE - GENERAL PURPOSE SYSTEM IS CONFIGURED AT THE FACTORY FOR REQUIRED VOLTAGE. CONTACT FACTORY FOR VOLTAGE CHANGE REQUIREMENTS.
- AC WIRING SHALL BE INDIVIDUAL CONDUCTORS OF STRANDED TINNED COPPER WITH 300V, TYPE TFE INSULATION. MINIMUM WIRE SIZE SHALL BE 18 AWG UNLESS OTHERWISE SPECIFIED. COLOR CODE SHALL BE AS FOLLOWS:  
HOT - BLACK  
COMMON - WHITE  
GROUND - GREEN
- DC WIRING SHALL BE INDIVIDUAL CONDUCTORS OF STRANDED TINNED COPPER WITH 300V, TYPE TFE INSULATION. MINIMUM WIRE SIZE SHALL BE 22 AWG UNLESS OTHERWISE SPECIFIED. COLOR CODE SHALL BE AS FOLLOWS:  
+V - RED  
0V - BLACK

**RELAY BOARD NOTES**

- USER CONNECTIONS TO MOISTURE SENSOR RELAY ENERGIZED WHEN SENSOR IS DRY (DRY LED ON). RATING: 1/10HP 120VAC 5A 240VAC/32VDC RESISTIVE.
- USER CONNECTIONS TO 'AT TEMPERATURE' RELAY ENERGIZED WHEN BELOW SET TEMPERATURE (COOL LED ON). RATING: 1/10HP 120VAC 5A 240VAC/32VDC RESISTIVE.

----- FIELD TO WIRE -----

<b>UNIVERSAL ANALYZERS INC.</b> 1701 South Sutrö Terrace Carson City, Nevada 89706 USA		D 11/06/07 Add Ferrite Beads For RF Suppression REV DATE DESCRIPTION	RW GE DWN APVD
<b>MODEL 1040 SAMPLE COOLER WIRING SCHEMATIC</b>			
PART NO. NOT ISSUED	FOR N/A	DATE 02/05/1992	SCALE NTS
DRAWN BY APVD BY E. Musselman T. Barben	SIZE D	SHEET 2 OF 2	DRAWING NO. P0012

8 | 7 | 6 | 5 | 4 | 3 | 2 | 1