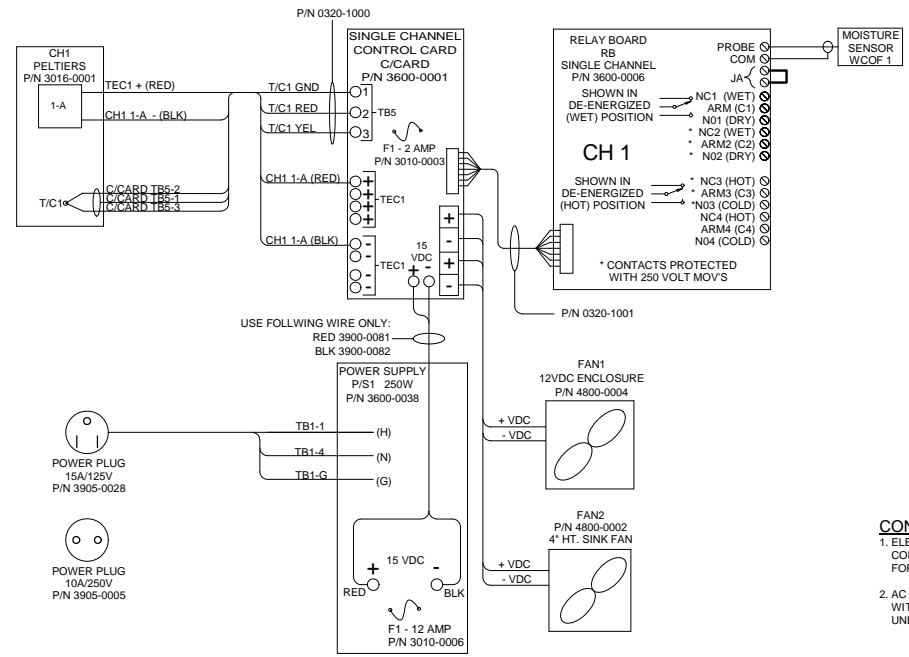


SEE SHEET 2 FOR WIRING SCHEMATIC

UNIVERSAL ANALYZERS INC.		F 11/06/07	Revised Per Sheet 2	RW	GE
1701 South SutröTerrace Carson City, Nevada 89706 USA		REV	DATE	DESCRIPTION	DWN/APVD
REVISIONS					
MODEL 530 SAMPLE COOLER ARRANGEMENT		DATE	SCALE	SIZE	SHEET
PART NO. FOR		02/30/1992	NTS	D	1 OF 2
NOT ISSUED N/A		APVD BY	E. Musselman T. Barben	DRAWING NO. P0011	

8 | 7 | 6 | 5 | 4 | 3 | 2 | 1



CONDUIT AND WIRING NOTES

- ELECTRICAL CLASSIFICATION : INSIDE - GENERAL PURPOSE SYSTEM IS CONFIGURED AT THE FACTORY FOR REQUIRED VOLTAGE. CONTACT FACTORY FOR VOLTAGE CHANGE REQUIREMENTS.
- AC WIRING SHALL BE INDIVIDUAL CONDUCTORS OF STRANDED TINNED COPPER WITH 300V, TYPE TFE INSULATION. MINIMUM WIRE SIZE SHALL BE 18 AWG UNLESS OTHERWISE SPECIFIED. COLOR CODE SHALL BE AS FOLLOWS:
HOT - BLACK
COMMON - WHITE
GROUND - GREEN
- DC WIRING SHALL BE INDIVIDUAL CONDUCTORS OF STRANDED TINNED COPPER WITH 300V, TYPE TFE INSULATION. MINIMUM WIRE SIZE SHALL BE 22 AWG UNLESS OTHERWISE SPECIFIED. COLOR CODE SHALL BE AS FOLLOWS:
+V - RED
0V - BLACK

RELAY BOARD NOTES

- USER CONNECTIONS TO MOISTURE SENSOR RELAY ENERGIZED WHEN SENSOR IS DRY (DRY LED ON). RATING: 1/10HP 120VAC 5A 240VAC/32VDC RESISTIVE.
- USER CONNECTIONS TO 'AT TEMPERATURE' RELAY ENERGIZED WHEN BELOW SET TEMPERATURE (COOL LED ON). RATING: 1/10HP 120VAC 5A 240VAC/32VDC RESISTIVE.

FIELD TO WIRE

UNIVERSAL ANALYZERS INC. 1701 South SutroTerrace Carson City, Nevada 89706 USA		F 11/06/07	Add Ferrite Beads For RF Suppression	RW	GE
REV	DATE	DESCRIPTION		DWN	APVD
MODEL 530 SAMPLE COOLER WIRING SCHEMATIC					
PART NO.	FOR	SCALE	SIZE	DRAWING NO.	SHEET
NOT ISSUED	N/A	N/A	D	P0011	2 OF 2
DRAWN BY E. Musselman		DATE 02/30/1992		APVD BY T. Barben	

8 | 7 | 6 | 5 | 4 | 3 | 2 | 1