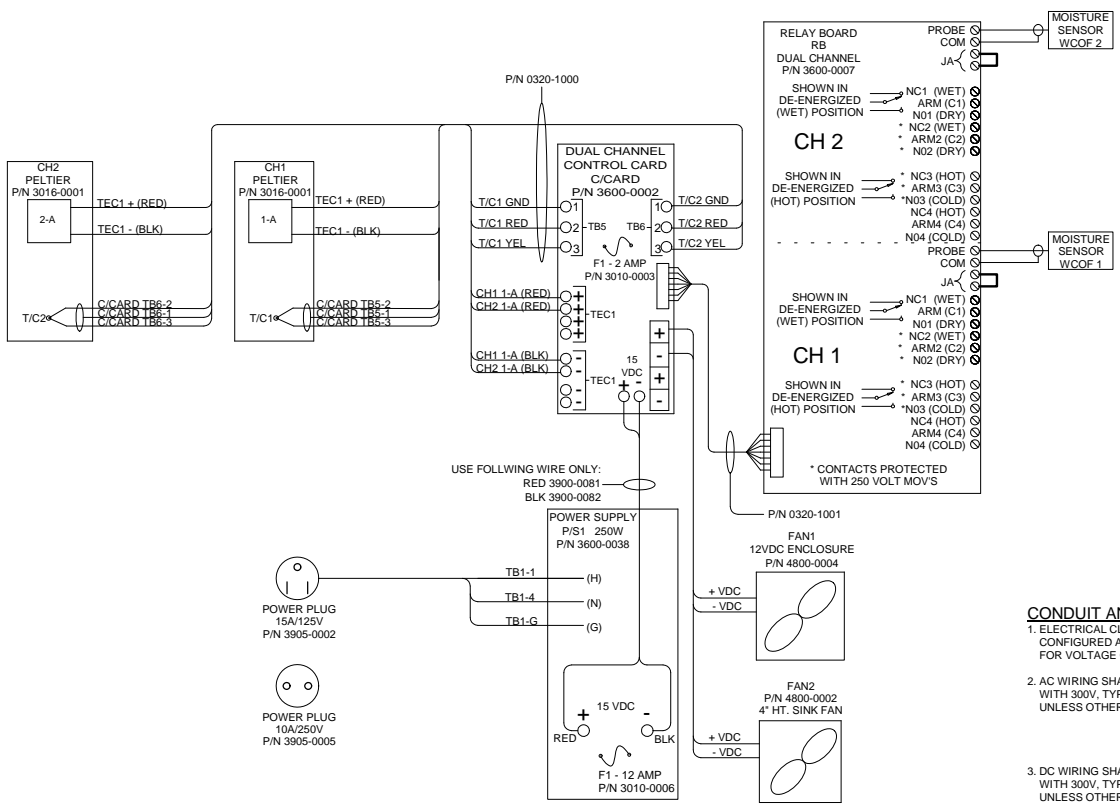


SEE SHEET 2 FOR WIRING SCHEMATIC

UNIVERSAL ANALYZERS INC. 1701 South Sutro Terrace Carson City, Nevada 89706 USA		E 11/06/07 Revised Per Sheet 2 REV DATE DESCRIPTION 01/27/1992 NTS DRAWN BY E. Musselman APVD BY	RW GE DWNJ APVD REVISIONS DATE SCALE SIZE D SHEET 01/27/1992 NTS D 1 OF 2 DRAWING NO. P0009
PART NO. NOT ISSUED	FOR N/A		

8 | 7 | 6 | 5 | 4 | 3 | 2 | 1



USE FOLLOWING WIRE ONLY:
 RED 3900-0081
 BLK 3900-0082

CONDUIT AND WIRING NOTES

- ELECTRICAL CLASSIFICATION : INSIDE - GENERAL PURPOSE SYSTEM IS CONFIGURED AT THE FACTORY FOR REQUIRED VOLTAGE. CONTACT FACTORY FOR VOLTAGE CHANGE REQUIREMENTS.
- AC WIRING SHALL BE INDIVIDUAL CONDUCTORS OF STRANDED TINNED COPPER WITH 300V, TYPE TFE INSULATION. MINIMUM WIRE SIZE SHALL BE 18 AWG UNLESS OTHERWISE SPECIFIED. COLOR CODE SHALL BE AS FOLLOWS:
 HOT - BLACK
 COMMON - WHITE
 GROUND - GREEN
- DC WIRING SHALL BE INDIVIDUAL CONDUCTORS OF STRANDED TINNED COPPER WITH 300V, TYPE TFE INSULATION. MINIMUM WIRE SIZE SHALL BE 22 AWG UNLESS OTHERWISE SPECIFIED. COLOR CODE SHALL BE AS FOLLOWS:
 +V - RED
 0V - BLACK

RELAY BOARD NOTES

- USER CONNECTIONS TO MOISTURE SENSOR RELAY ENERGIZED WHEN SENSOR IS DRY (DRY LED ON). RATING: 1/10HP 120VAC 5A 240VAC/32VDC RESISTIVE.
- USER CONNECTIONS TO 'AT TEMPERATURE' RELAY ENERGIZED WHEN BELOW SET TEMPERATURE (COOL LED ON). RATING: 1/10HP 120VAC 5A 240VAC/32VDC RESISTIVE.

----- FIELD TO WIRE -----

UNIVERSAL ANALYZERS INC.		E	11/06/07	Add Ferrite Beads For RF Suppression	RW	GE
1701 South SutrroTerrace Carson City, Nevada 89706 USA		REV	DATE	DESCRIPTION	DWN	APVD
MODEL 540 SAMPLE COOLER		REVISIONS				
WIRING SCHEMATIC		DATE	SCALE	SIZE	SHEET	
PART NO.		FOR		DRAWN BY	DRAWING NO.	
NOT ISSUED		N/A		E. Musselman	P0009	
		DATE	SCALE	SIZE	SHEET	
		01/27/1992	NTS	D	2 OF 2	

8 | 7 | 6 | 5 | 4 | 3 | 2 | 1